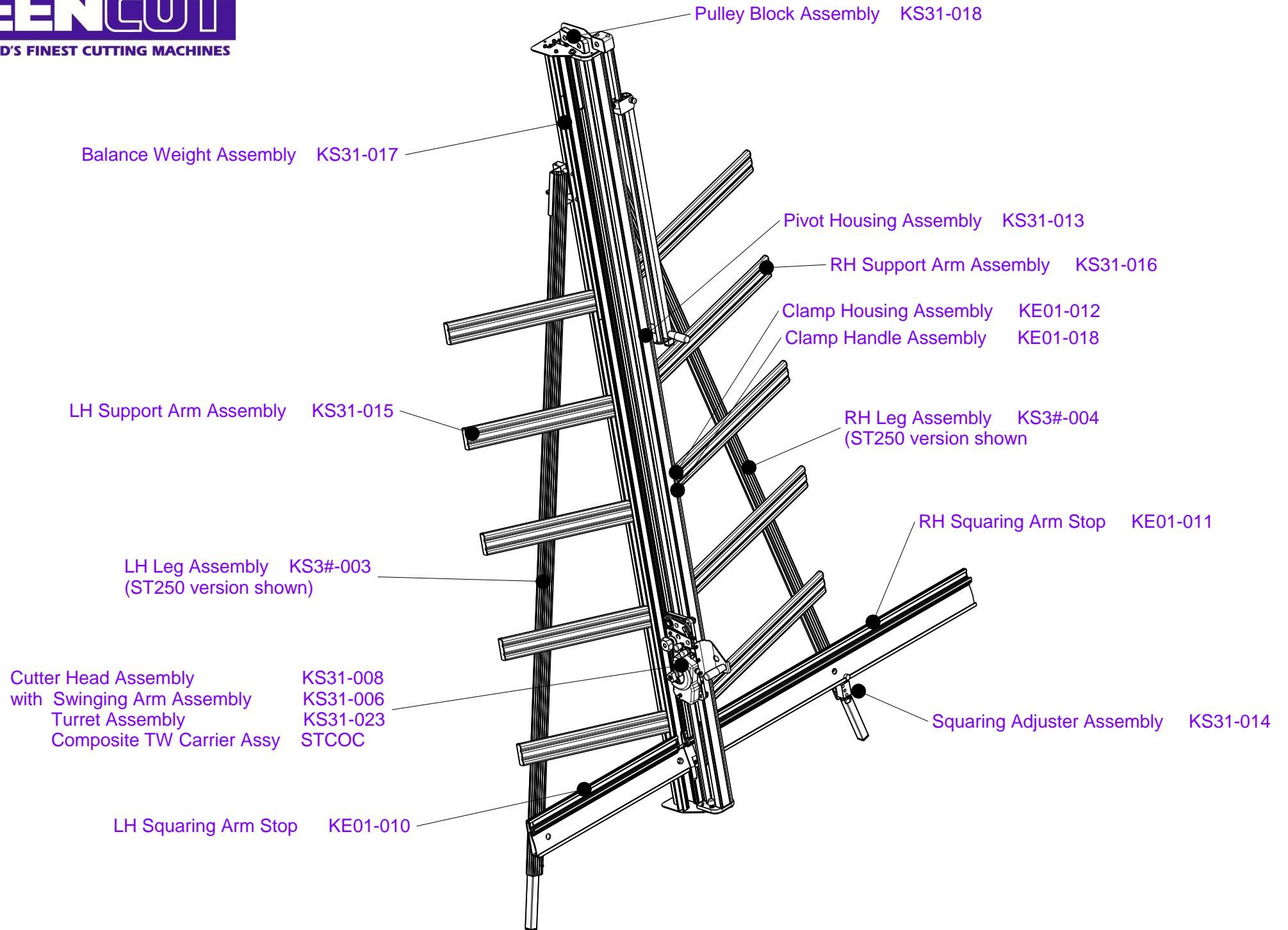
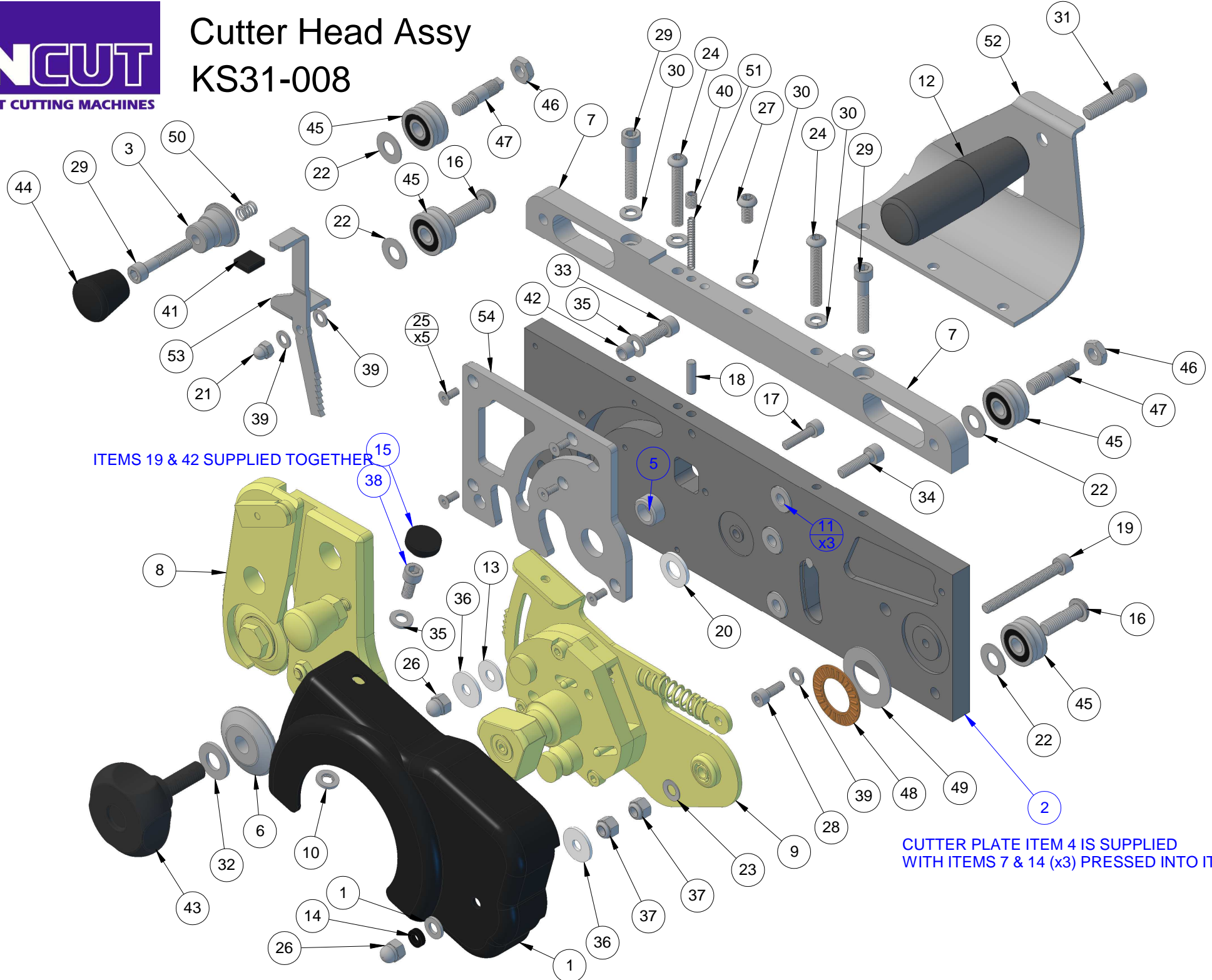


SteelTrak Parts Diagrams



Cutter Head Assy KS31-008



ITEMS 19 & 42 SUPPLIED TOGETHER

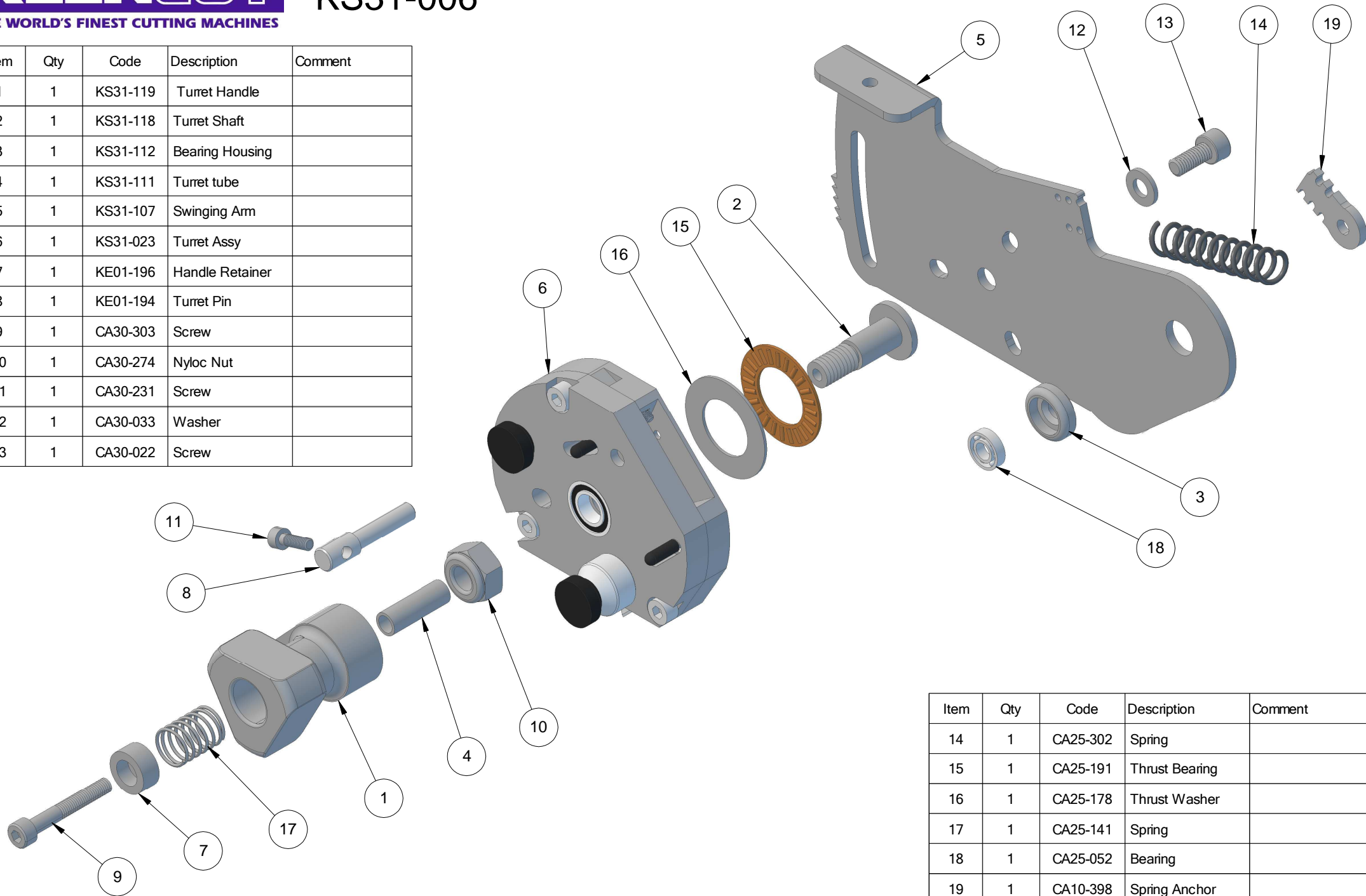
CUTTER PLATE ITEM 4 IS SUPPLIED WITH ITEMS 7 & 14 (x3) PRESSED INTO IT.

Item	Qty	Code	Description	Comment
1	1	KS31-153	Multi-Cutter Guard	
2	1	KS31-124	Cutter Plate	
3	1	KS31-117	Ratchet Hold Knob	
4	1	KS31-116	Rubber Buffer	
5	1	KS31-115	Threaded Insert	
6	1	KS31-113	Clamping Disc	
7	1	KS31-104	Spring Block	
8	1	KS31-007	TW Carrier Assy	
9	1	KS31-006	Swinging Arm Assy	
10	1	CA75-137	Retaining Washer	
11	3	CA75-127	Plastic Bush	
12	1	CA75-064	Handle	
13	1	CA75-053	Plastic Washer	
14	1	CA75-023	Rubber Spacer	
15	1	CA75-009	Knoblet	
16	2	CA30-318	Screw	
17	1	CA30-304	Screw	
18	1	CA30-301	Pin	
19	1	CA30-296	Screw	
20	1	CA30-277	Washer	
21	1	CA30-258	Dome Nyloc Nut	
22	4	CA30-221	Disc Spring	
23	1	CA30-211	Disc Spring	
24	2	CA30-189	Screw	
25	5	CA30-188	Screw	
26	2	CA30-187	Nyloc Nut	
27	1	CA30-165	Screw	

Item	Qty	Code	Description	Comment
28	1	CA30-135	Screw	
29	3	CA30-118	Screw	
30	5	CA30-075	Washer	
31	1	CA30-067	Screw	
32	1	CA30-054	Washer	
33	1	CA30-046	Screw	
34	1	CA30-040	Screw	
35	3	CA30-033	Washer	
36	2	CA30-029	Washer	
37	2	CA30-023	Nyloc Nut	
38	1	CA30-022	Screw	
39	3	CA30-019	Washer	
40	1	CA30-014	Screw	
41	1	CA25-398	Square End Flat Sleeve	
42	1	CA25-354	Split Spacer	
43	1	CA25-306	Handknob	
44	1	CA25-303	Tapered Ferrule	
45	4	CA25-295	Track Roller	
46	2	CA25-294b	Half Nut	
47	2	CA25-294a	Eccentric Stud	
48	1	CA25-191	Thrust Bearing	
49	1	CA25-178	Thrust Washer	
50	1	CA25-080	Spring	
51	1	CA25-001	Spring	
52	1	CA10-411	Handle Bracket	
53	1	CA10-399	Ratchet Lever	
54	1	CA10-395	TW Backing Plate	

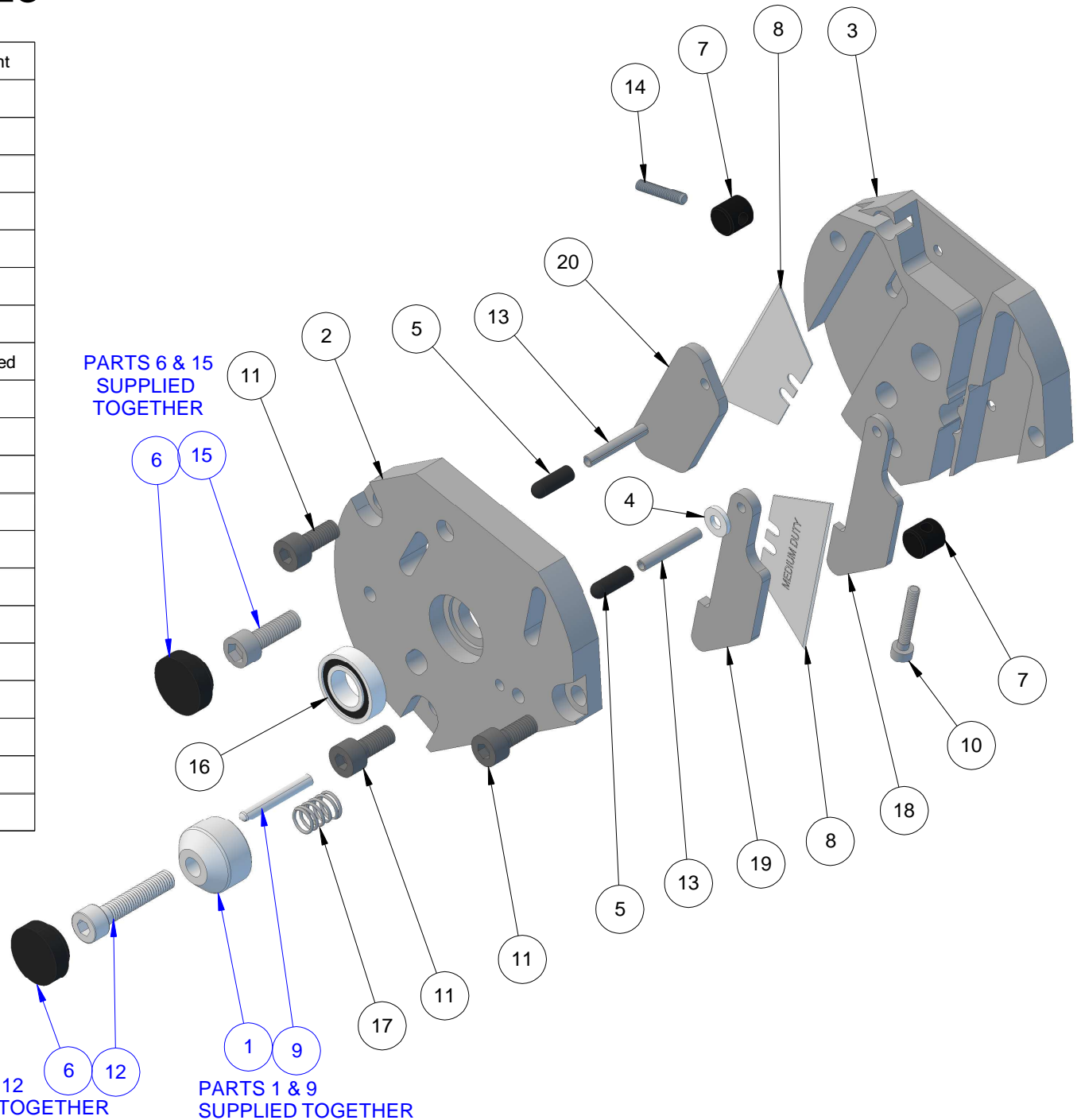
Swinging Arm Assy KS31-006

Item	Qty	Code	Description	Comment
1	1	KS31-119	Turret Handle	
2	1	KS31-118	Turret Shaft	
3	1	KS31-112	Bearing Housing	
4	1	KS31-111	Turret tube	
5	1	KS31-107	Swinging Arm	
6	1	KS31-023	Turret Assy	
7	1	KE01-196	Handle Retainer	
8	1	KE01-194	Turret Pin	
9	1	CA30-303	Screw	
10	1	CA30-274	Nyloc Nut	
11	1	CA30-231	Screw	
12	1	CA30-033	Washer	
13	1	CA30-022	Screw	

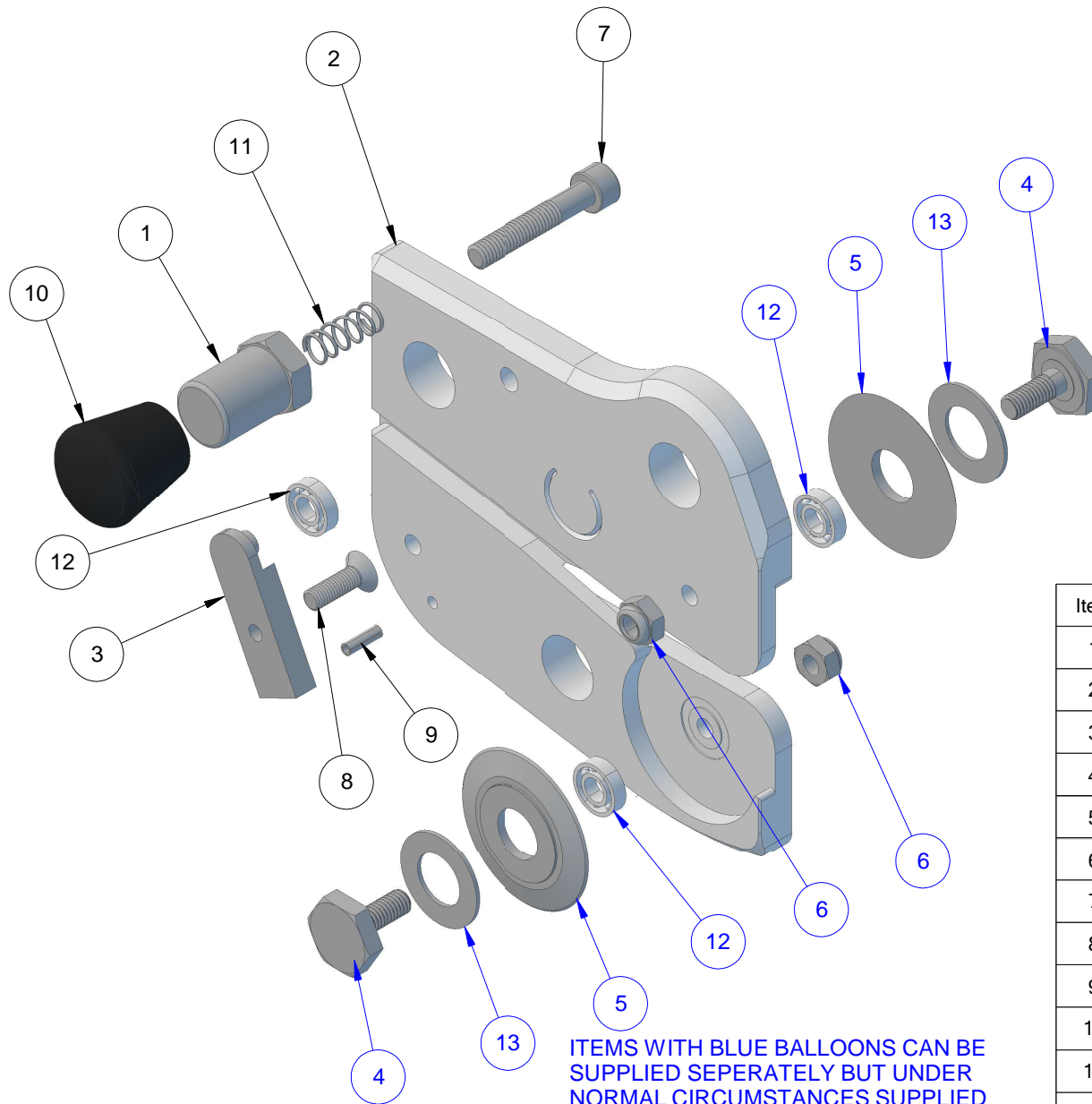


Item	Qty	Code	Description	Comment
14	1	CA25-302	Spring	
15	1	CA25-191	Thrust Bearing	
16	1	CA25-178	Thrust Washer	
17	1	CA25-141	Spring	
18	1	CA25-052	Bearing	
19	1	CA10-398	Spring Anchor	

Item	Qty	Code	Description	Comment
1	1	KS31-172	Safety Pin Boss	
2	1	KE01-198	Turret Lid	
3	1	KE01-197	Turret Body	
4	1	CA75-121	Plastic Washer	
5	2	CA75-105	End Tip	
6	2	CA75-010	Knoblet	
7	2	CA75-008	Blade Depth Adj Nut	
8	2	CA50-019	Med Duty Blade	Not included
9	1	CA30-331	Pin	
10	1	CA30-263	Screw	
11	3	CA30-218	Screw	
12	1	CA30-143	Screw	
13	2	CA30-077	Pin	
14	1	CA30-064	Screw	
15	1	CA30-018	Screw	
16	1	CA25-190	Bearing	
17	1	CA25-080	Spring	
18	1	CA10-269	Blade Support Plate	
19	1	CA10-268	Blade Clamp Plate	
20	1	CA10-235	Scoring Blade Clamp Plate	



Composite TW Carrier Assy KS31-007 (SALES CODE STCOC)



ITEMS WITH BLUE BALLOONS CAN BE SUPPLIED SEPERATELY BUT UNDER NORMAL CIRCUMSTANCES SUPPLIED TOGETHER AS SALES CODE STCOW.

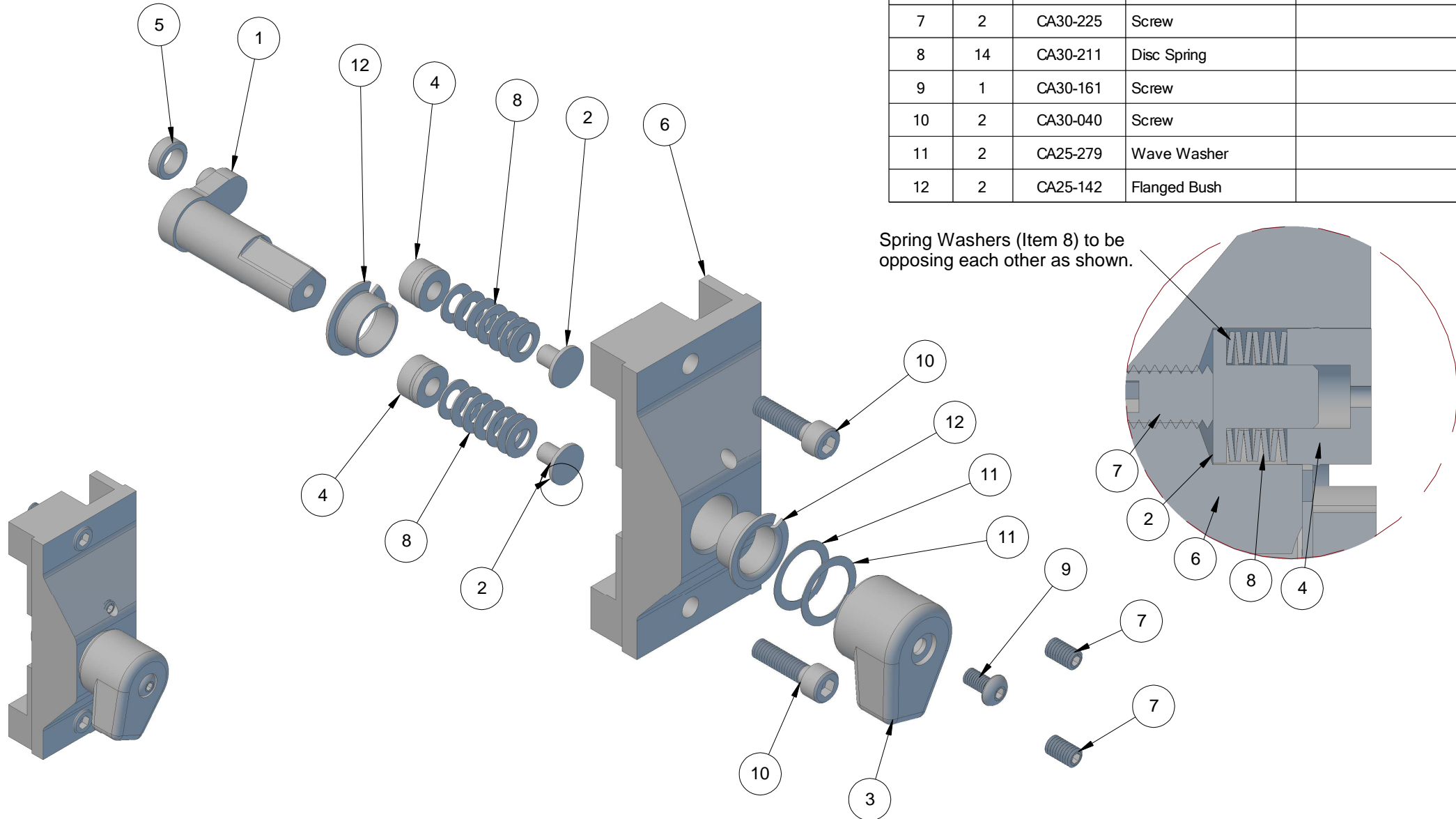
Item	Qty	Code	Description	Comment
1	1	KS31-136	Detent Knob	
2	1	KS31-122	Composite Wheel Carrier	
3	1	KS31-120	Deflector Bracket	
4	2	KS31-114	TW Shoulder Bolt	
5	2	KS31-110	Composite Circular Knife	
6	2	CA30-176	Nyloc Nut	
7	1	CA30-118	Screw	
8	1	CA30-117	Screw	
9	1	CA30-011	Pin	
10	1	CA25-303	Tapered Ferrule	
11	1	CA25-080	Spring	
12	3	CA25-052	Bearing	
13	2	CA10-401	Thrust Washer	

Clamp Housing Assembly

KE01-012

NOTE: Usually supplied as a complete assembly

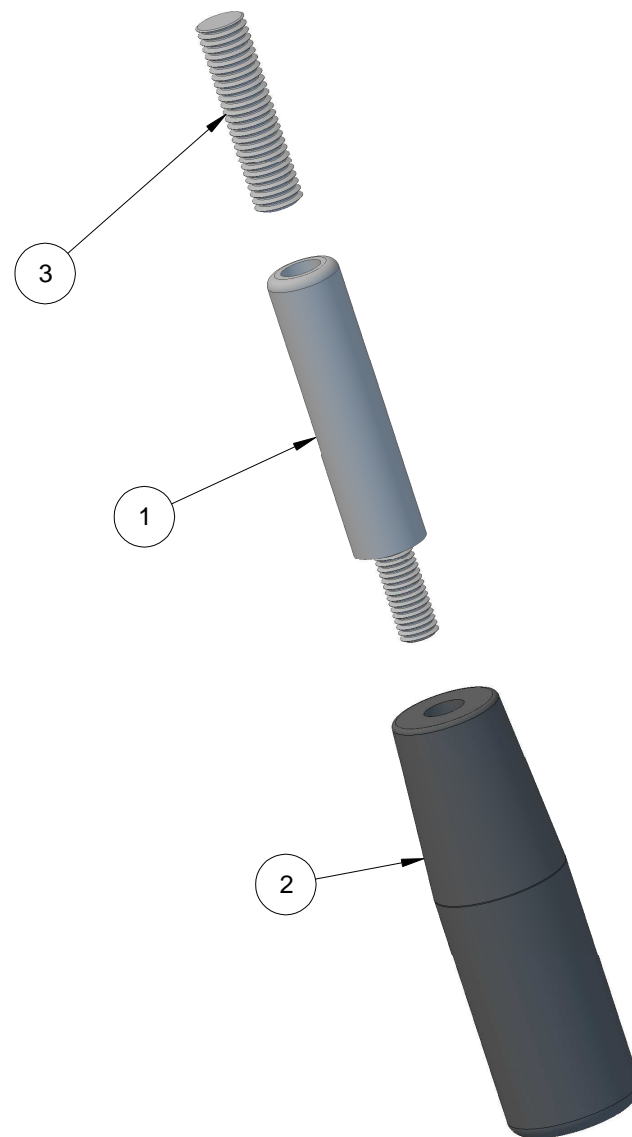
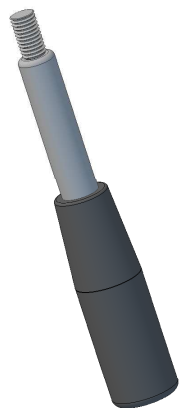
Item	Qty	Code	Description	Comment
1	1	KE01-222	Handle Crank	
2	2	KE01-143	Pressure Pad Pin	
3	1	KE01-133	Handle Boss	
4	2	KE01-132	Pressure Pad	
5	1	KE01-131	Clamp Primary Roller	
6	1	KE01-130	Clamp Housing	
7	2	CA30-225	Screw	
8	14	CA30-211	Disc Spring	
9	1	CA30-161	Screw	
10	2	CA30-040	Screw	
11	2	CA25-279	Wave Washer	
12	2	CA25-142	Flanged Bush	



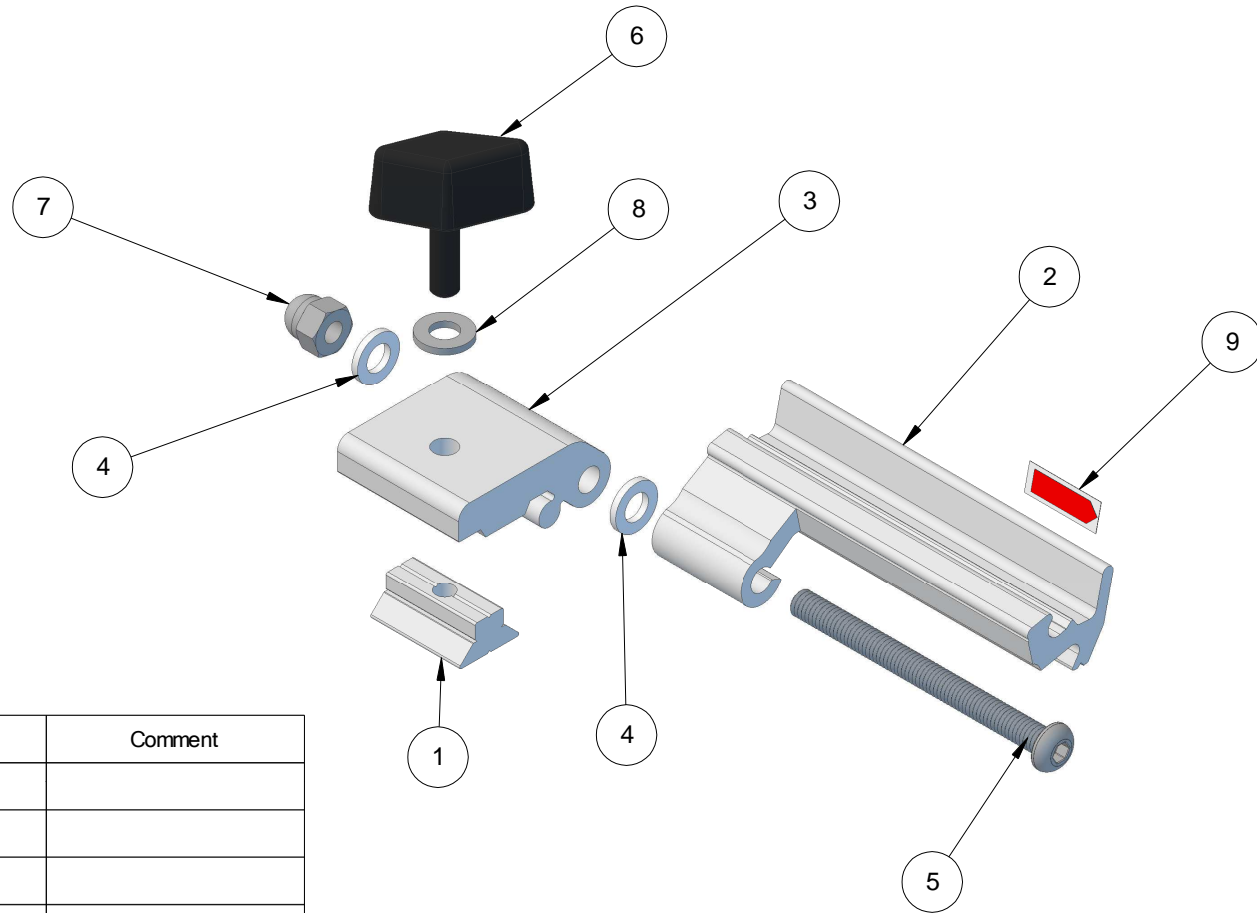
Clamp Handle Assembly

KE01-018

Item	Qty	Code	Description	Comment
1	1	KE01-134	Handle Lever	
2	1	CA75-064	Handle	
3	1	CA30-172	Screw	

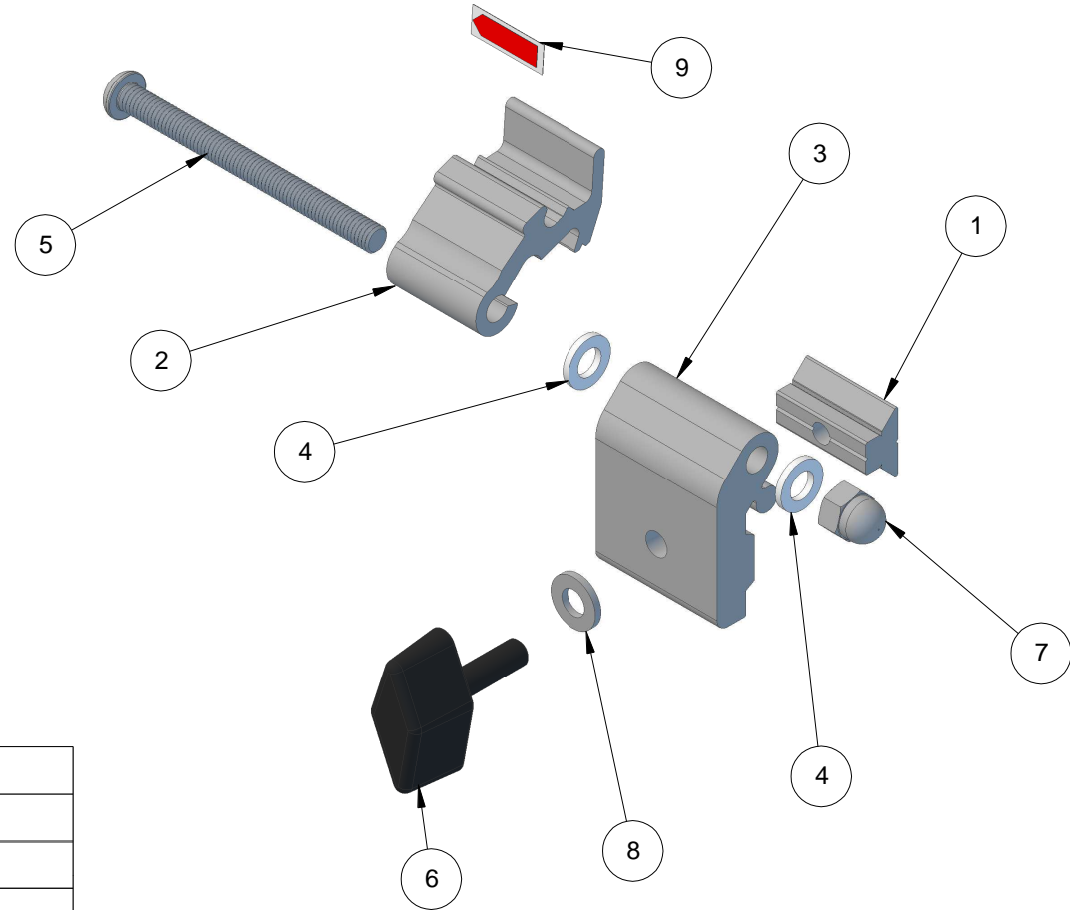


LH Squaring Arm Stop Assy KE01-010



Item	Qty	Code	Description	Comment
1	1	KL01-166	Groove Block	
2	1	KE01-128	Left Hand Flip Stop	
3	1	KE01-127	Flip Stop Clamp	
4	2	CA75-013	Plastic Washer	
5	1	CA30-334	Screw	
6	1	CA30-233	Wingbolt	
7	1	CA30-187	Nyloc Nut	
8	1	CA30-033	Washer	
9	1	CA25-034	Red Arrow Label	

RH Squaring Arm Stop Assy KE01-011

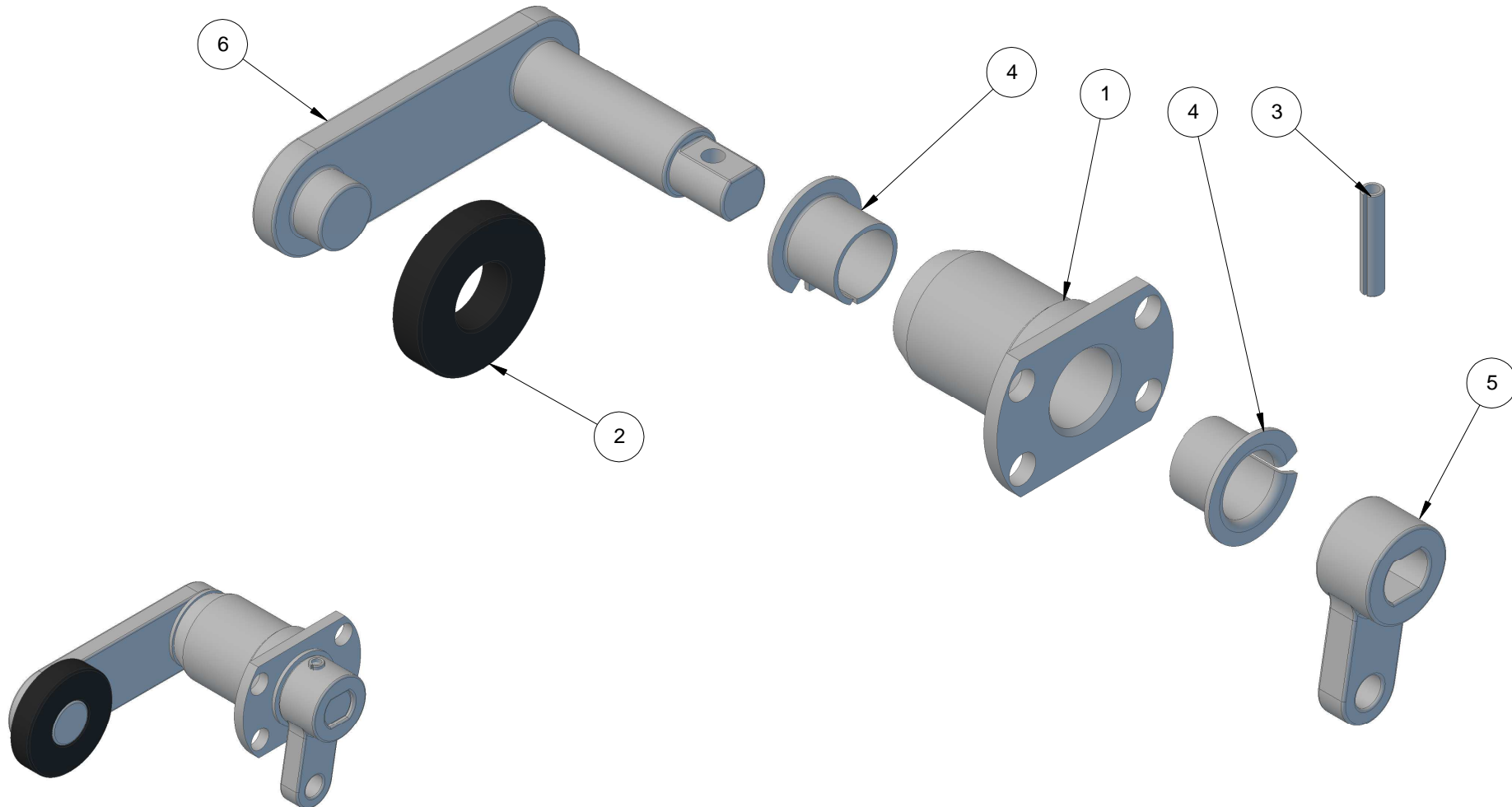


Item	Qty	Code	Description	Comment
1	1	KL01-166	Groove Block	
2	1	KE01-129	RH Flip Stop	
3	1	KE01-127	Flip Stop Clamp	
4	2	CA75-013	Plastic Washer	
5	1	CA30-334	Screw	
6	1	CA30-233	Wingbolt	
7	1	CA30-187	Nyloc Nut	
8	1	CA30-033	Washer	
9	1	CA25-034	Red Arrow Label	

Pivot Housing Assembly KS31-013

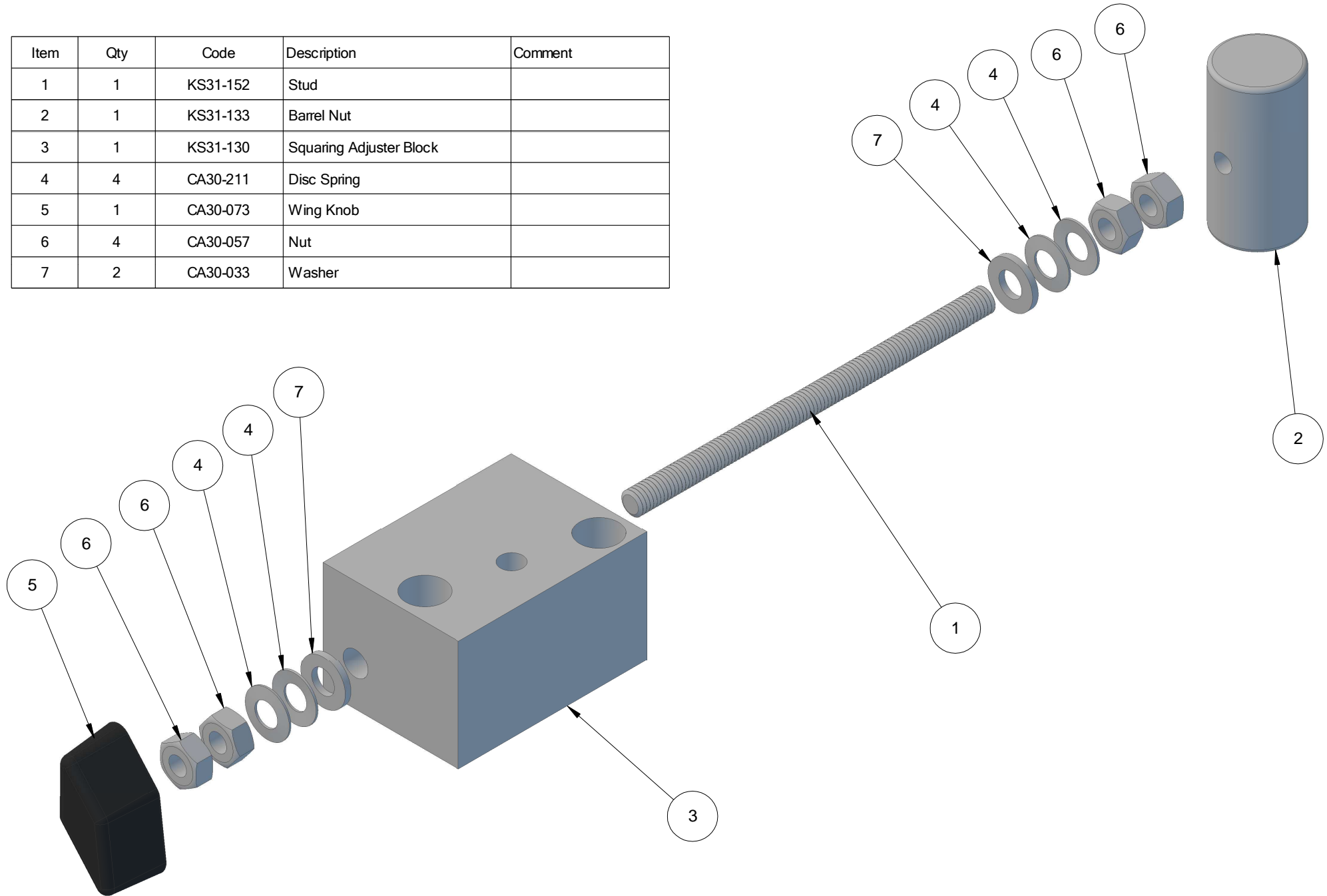
NOTE: Only item 2 is the only part that can be supplied individually, otherwise all parts supplied as a complete assembly

Item	Qty	Code	Description	Comment
1	1	KE01-109	Pivot Housing	
2	1	KE01-103	Clamp Lever Roller	See Note
3	1	CA30-227	Pin	
4	2	CA25-125	Flanged Bush	
5	1	CA10-219	Clamp Lever	
6	1	CA10-218	Crank Arm	



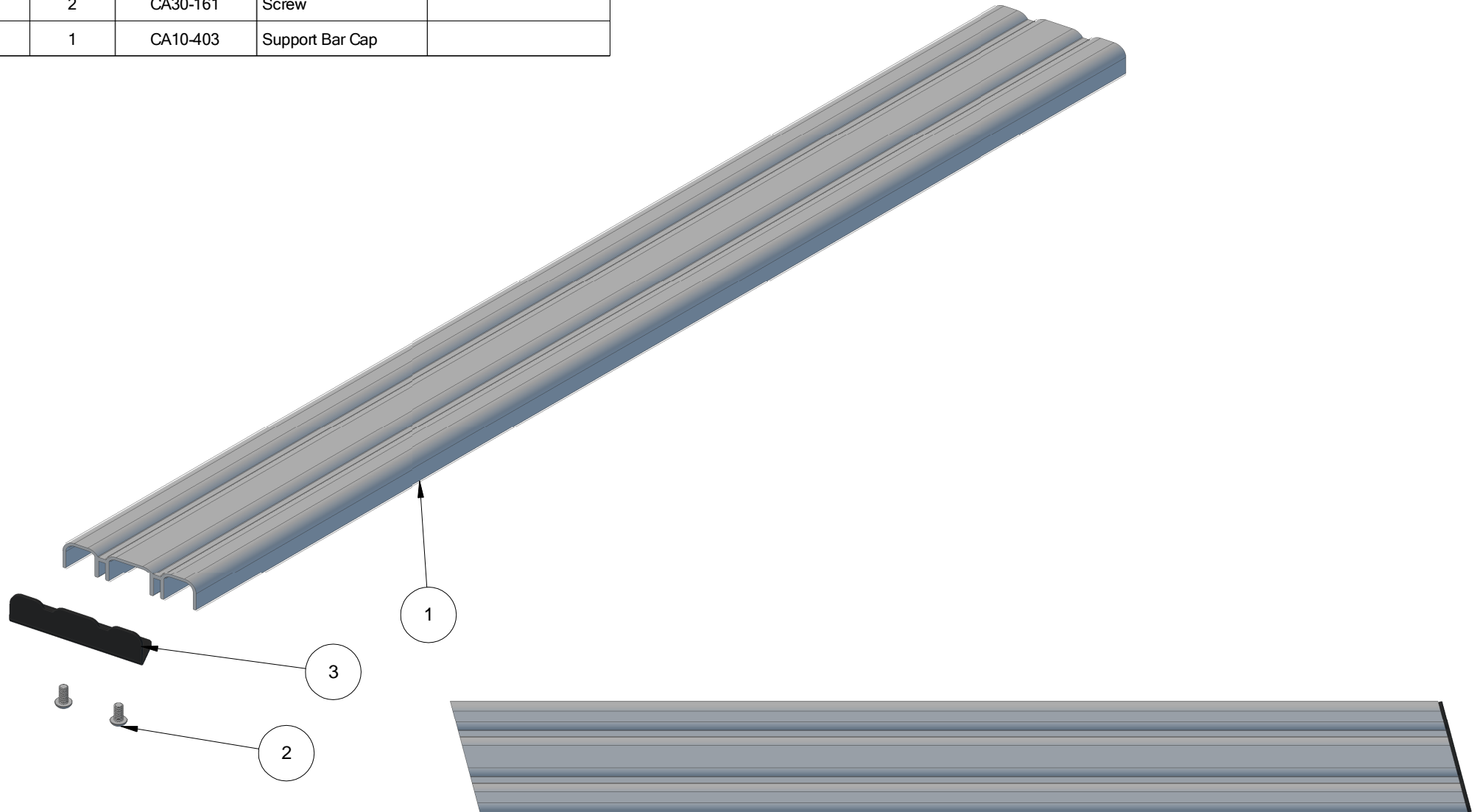
Squaring Adjuster Assembly KS31-014

Item	Qty	Code	Description	Comment
1	1	KS31-152	Stud	
2	1	KS31-133	Barrel Nut	
3	1	KS31-130	Squaring Adjuster Block	
4	4	CA30-211	Disc Spring	
5	1	CA30-073	Wing Knob	
6	4	CA30-057	Nut	
7	2	CA30-033	Washer	



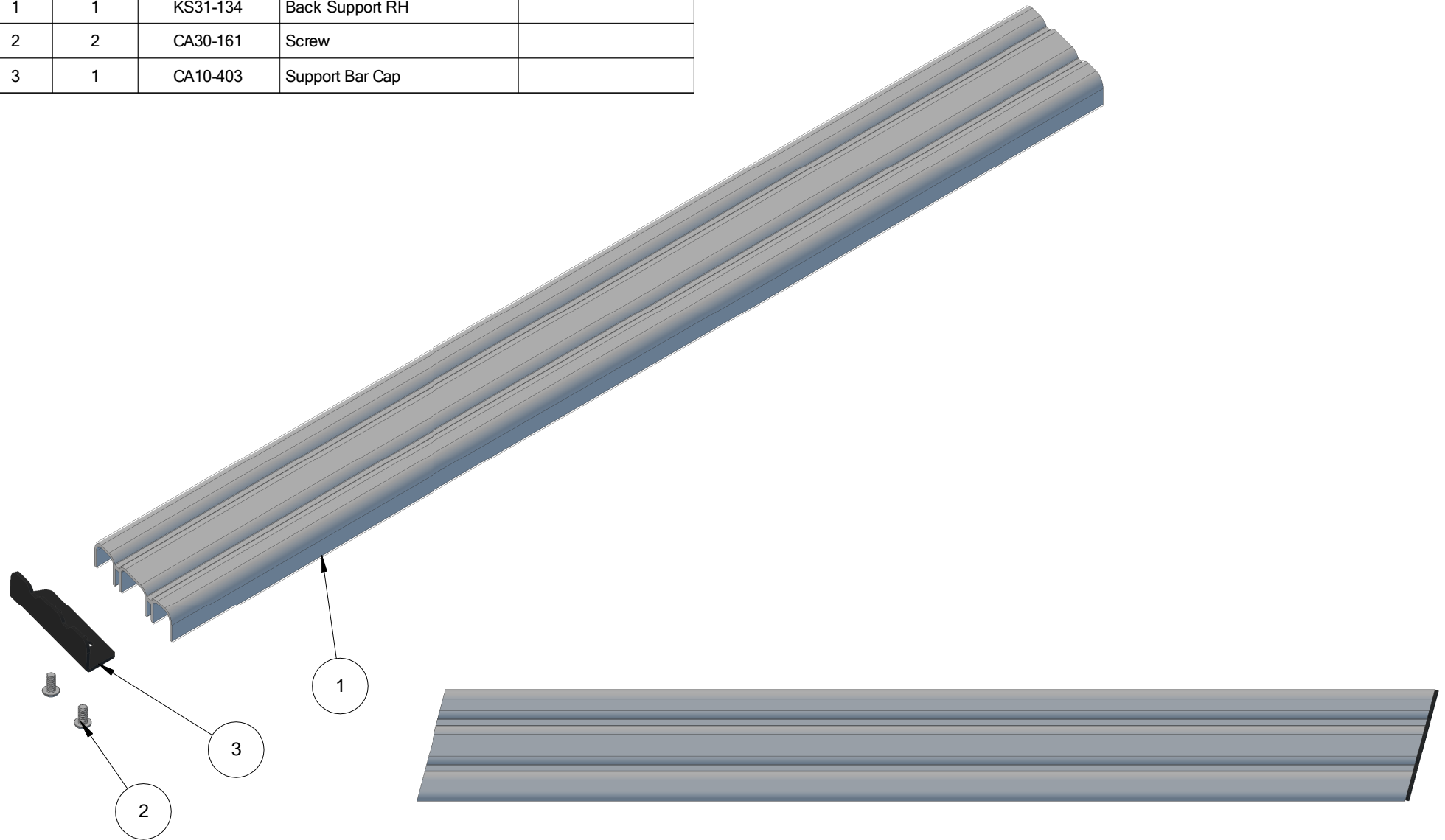
LH Support Arm Assembly KS31-015

Item	Qty	Code	Description	Comment
1	1	KS31-121	Back Support LH	
2	2	CA30-161	Screw	
3	1	CA10-403	Support Bar Cap	



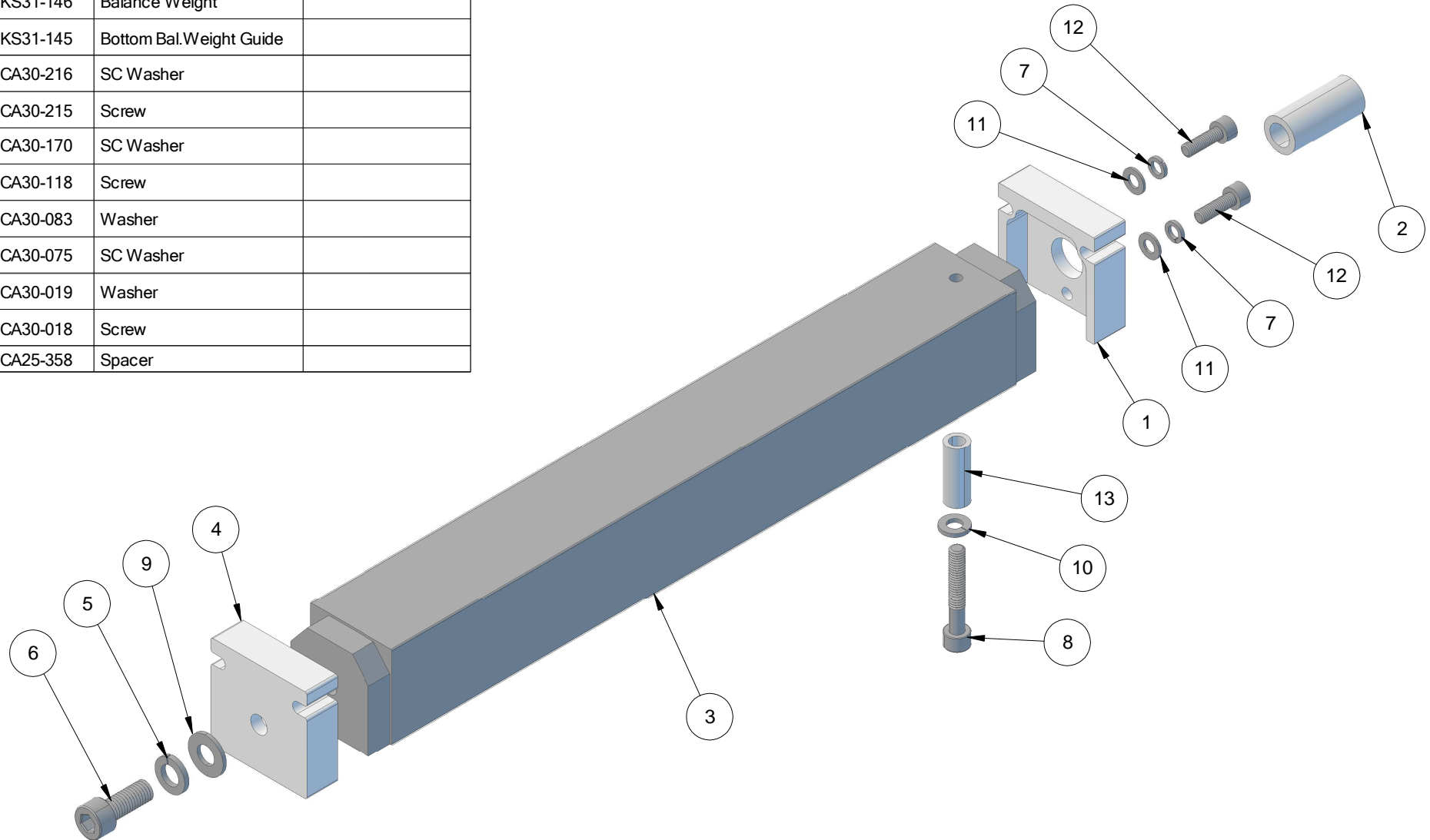
RH Support Arm Assembly KS31-016

Item	Qty	Code	Description	Comment
1	1	KS31-134	Back Support RH	
2	2	CA30-161	Screw	
3	1	CA10-403	Support Bar Cap	



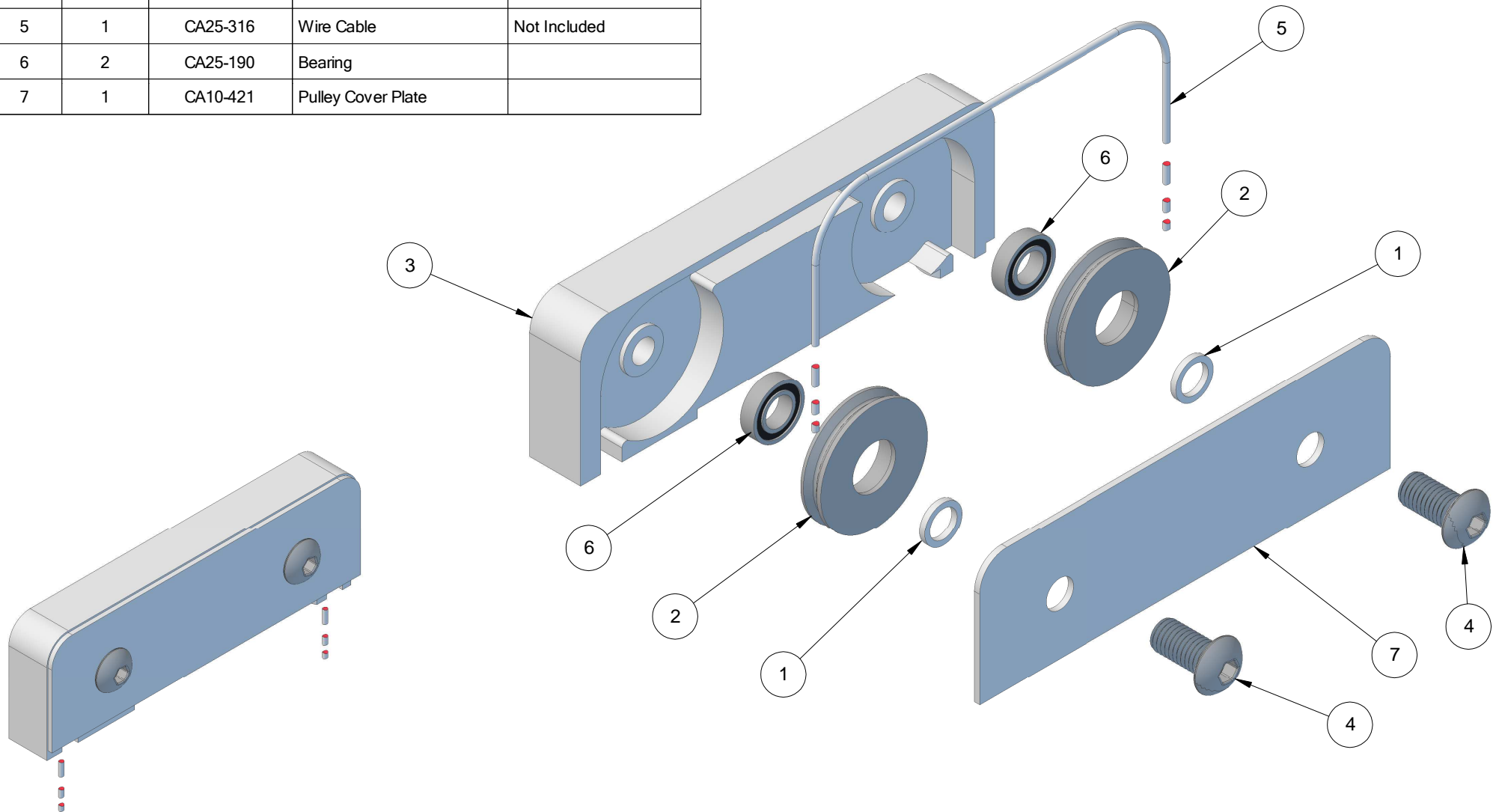
Balance Weight Assembly KS31-017

Item	Qty	Code	Description	Comment
1	1	KS31-170	Top Bal.Weight Guide	
2	1	KS31-169	Buffer Tube	
3	1	KS31-146	Balance Weight	
4	1	KS31-145	Bottom Bal.Weight Guide	
5	1	CA30-216	SC Washer	
6	1	CA30-215	Screw	
7	2	CA30-170	SC Washer	
8	1	CA30-118	Screw	
9	1	CA30-083	Washer	
10	1	CA30-075	SC Washer	
11	2	CA30-019	Washer	
12	2	CA30-018	Screw	
13	1	CA25-358	Spacer	

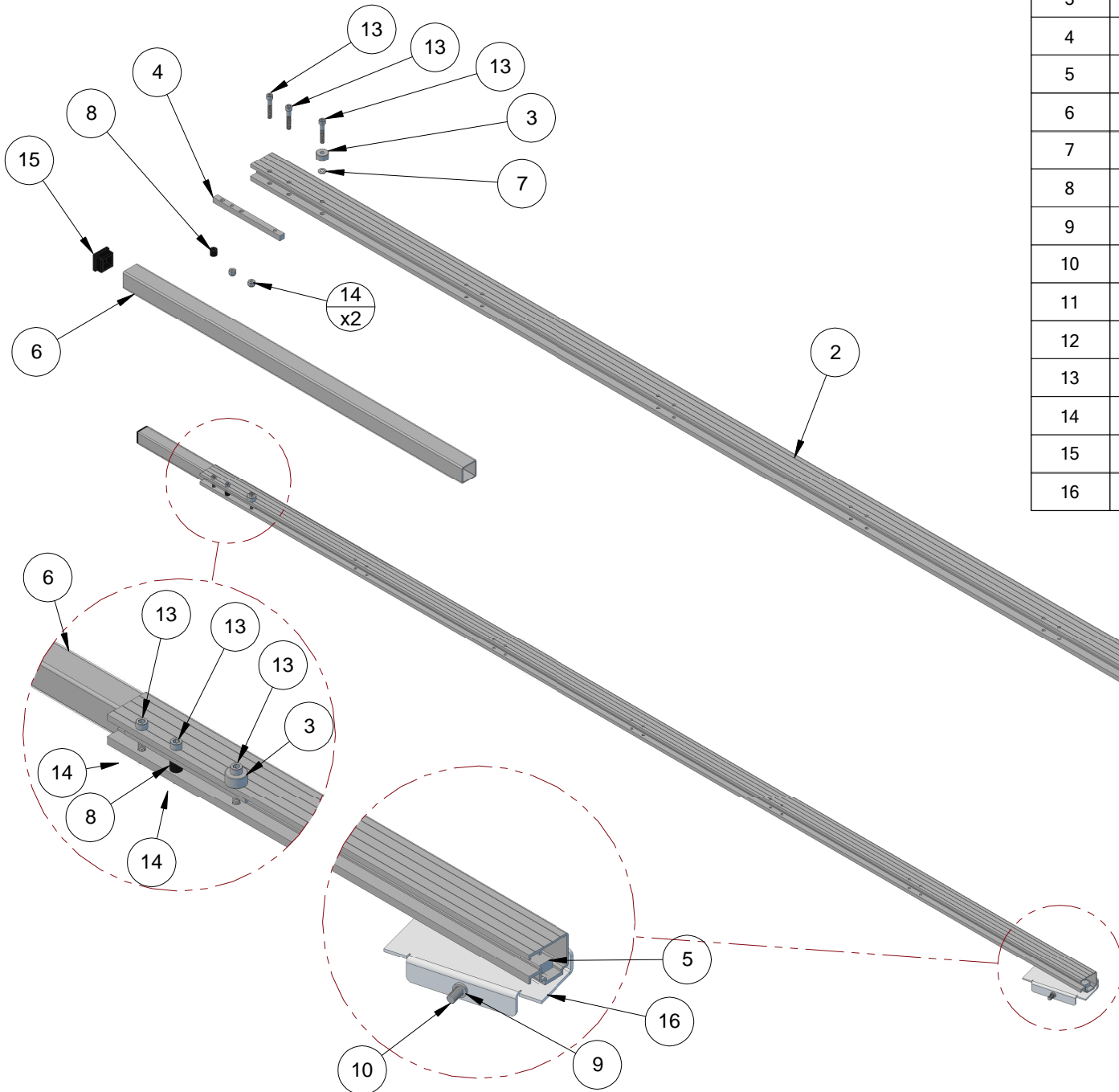


Pulley Block Assembly KS31-018

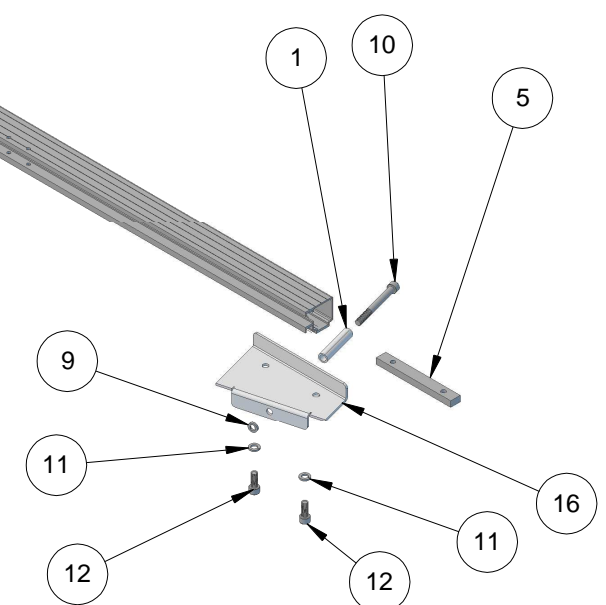
Item	Qty	Code	Description	Comment
1	2	KS31-166	Spacer	
2	2	KS31-109	Pulley	
3	1	KS31-108	Pulley Block	
4	2	CA30-307	Screw	
5	1	CA25-316	Wire Cable	Not Included
6	2	CA25-190	Bearing	
7	1	CA10-421	Pulley Cover Plate	



LH Leg Assembly KS33-003



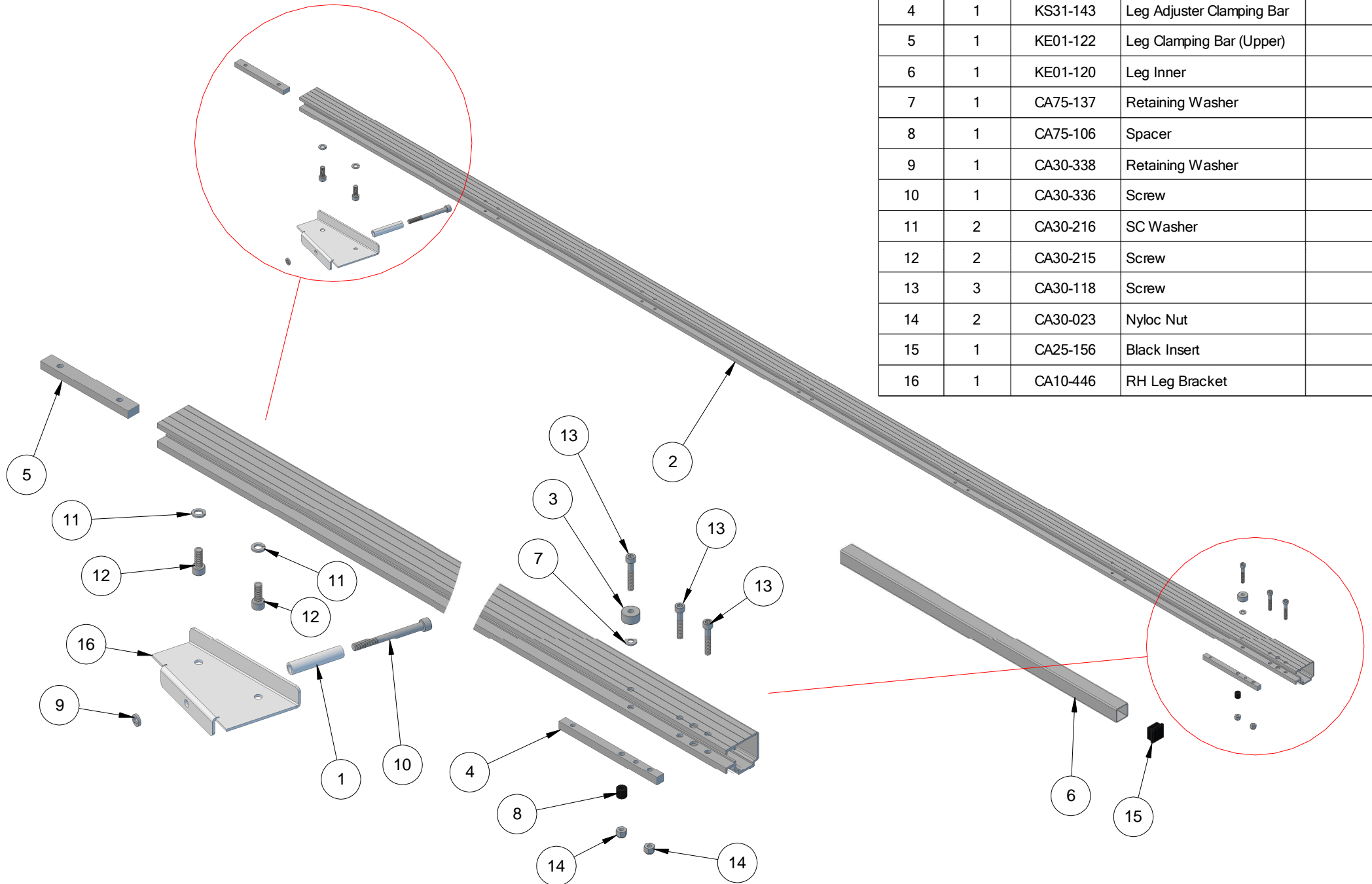
Item	Qty	Code	Description	Comment
1	1	KS33-187	Spacer Tube	
2	1	KS33-128	ST250 Leg LH	
3	1	KS31-150	Clamping Spacer	
4	1	KS31-143	Leg Adjuster Clamping Bar	
5	1	KE01-122	Leg Clamping Bar (Upper)	
6	1	KE01-120	Leg Inner	
7	1	CA75-137	Retaining Washer	
8	1	CA75-106	Spacer	
9	1	CA30-338	Retaining Washer	
10	1	CA30-336	Screw	
11	2	CA30-216	SC Washer	
12	2	CA30-215	Screw	
13	3	CA30-118	Screw	
14	2	CA30-023	Nyloc Nut	
15	1	CA25-156	Black Insert	
16	1	CA10-447	LH Leg Bracket	



KEENCUT

THE WORLD'S FINEST CUTTING MACHINES

RH Leg Assembly KS33-004



Item	Qty	Code	Description	Comment
1	1	KS33-187	Spacer Tube	
2	1	KS33-129	ST250 Leg RH	
3	1	KS31-150	Clamping Spacer	
4	1	KS31-143	Leg Adjuster Clamping Bar	
5	1	KE01-122	Leg Clamping Bar (Upper)	
6	1	KE01-120	Leg Inner	
7	1	CA75-137	Retaining Washer	
8	1	CA75-106	Spacer	
9	1	CA30-338	Retaining Washer	
10	1	CA30-336	Screw	
11	2	CA30-216	SC Washer	
12	2	CA30-215	Screw	
13	3	CA30-118	Screw	
14	2	CA30-023	Nyloc Nut	
15	1	CA25-156	Black Insert	
16	1	CA10-446	RH Leg Bracket	