



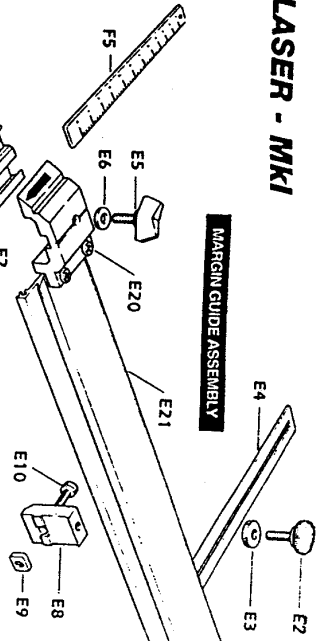
# Laser Parts Lists

The Laser Mk I Matcutter was first sold in 1986, during the summer of 1988 the Mk II was released.

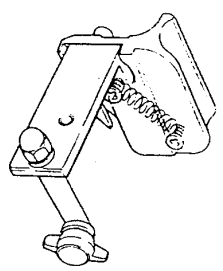
Parts lists for both machines are included, to identify between the machine types match up the cross-section of the Slideway as shown in the bottom left hand corner of each page.

The special Polymer Wear Tape fixed to the underside of the Cutter head is not shown, if this is required please refer to it as "Wear Tape".

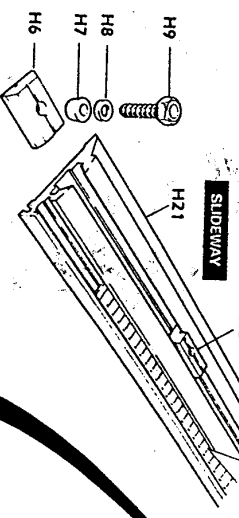
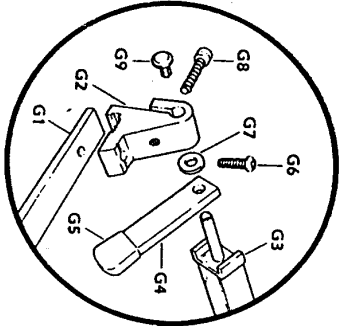
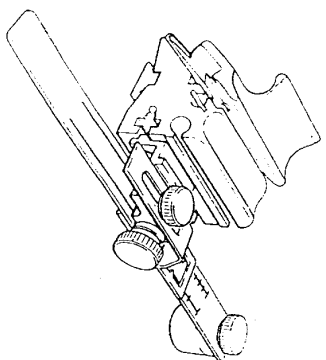
**MARGIN GUIDE ASSEMBLY**



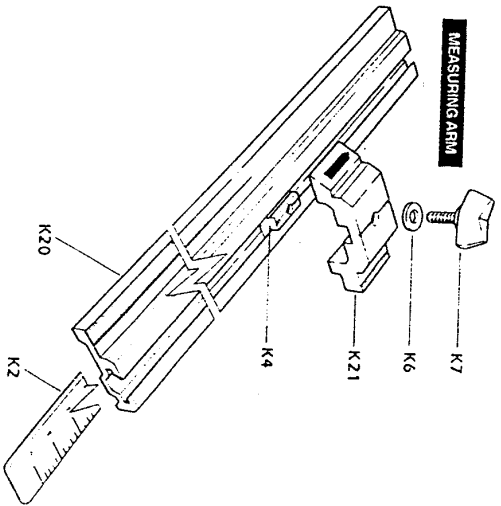
**VERTICAL BLADE ATTACHMENT**



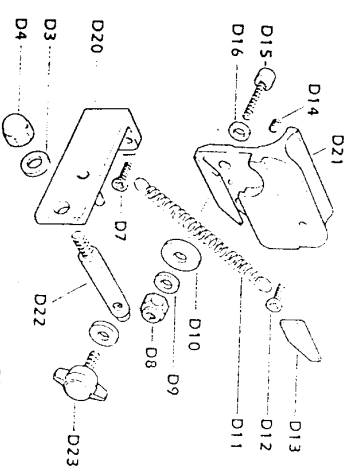
**BEVEL BLADE ATTACHMENT**



**MEASURING ARM**



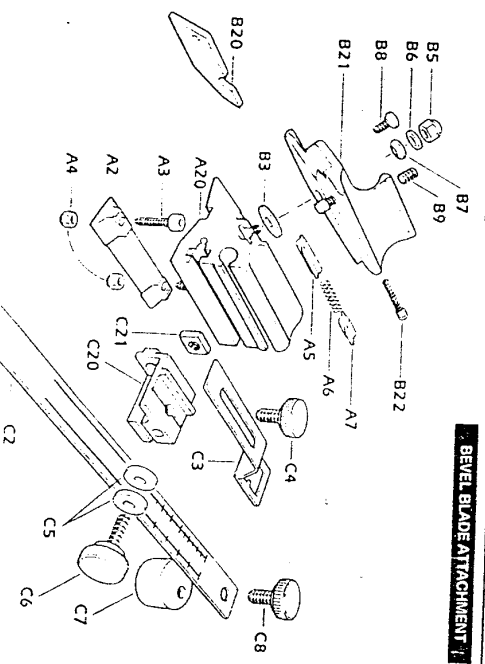
**CUTTER HEAD ASSEMBLY**



**VERTICAL BLADE ATTACHMENT**

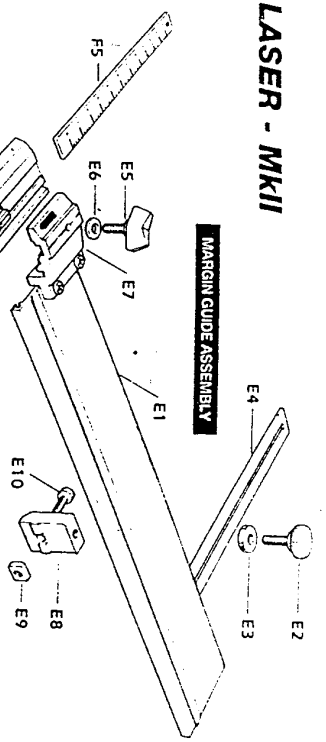


**BEVEL BLADE ATTACHMENT**

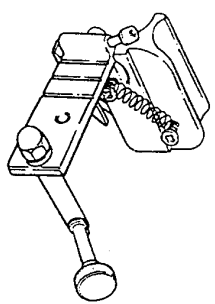


**LASER - MKII**

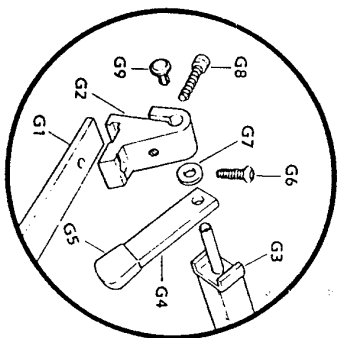
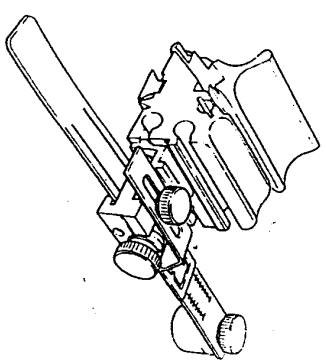
**MARGIN GUIDE ASSEMBLY**



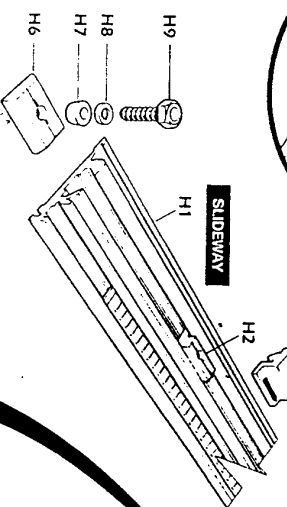
**VERTICAL BLADE ATTACHMENT**



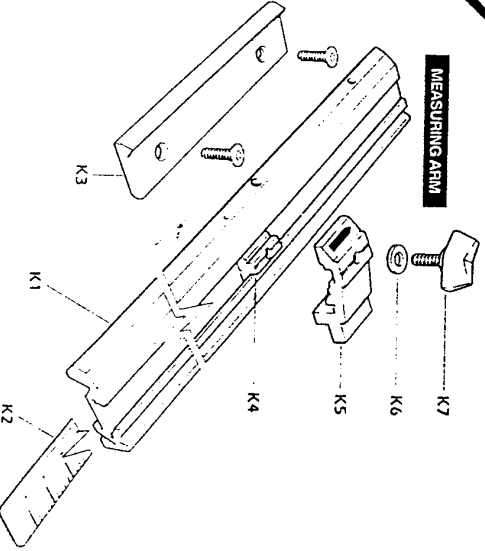
**BEVEL BLADE ATTACHMENT**



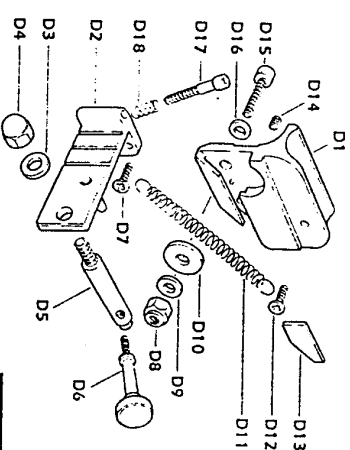
**SLIDEWAY**



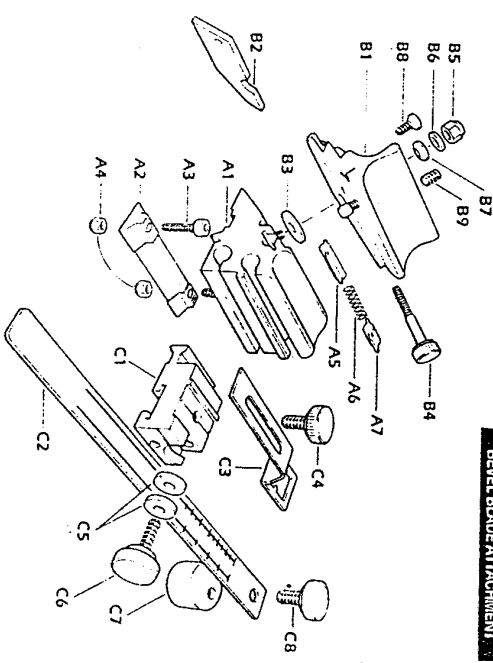
**MEASURING ARM**



**CUTTER HEAD ASSEMBLY**



**VERTICAL BLADE ATTACHMENT**



SLIDEWAY - End profile on Mill

