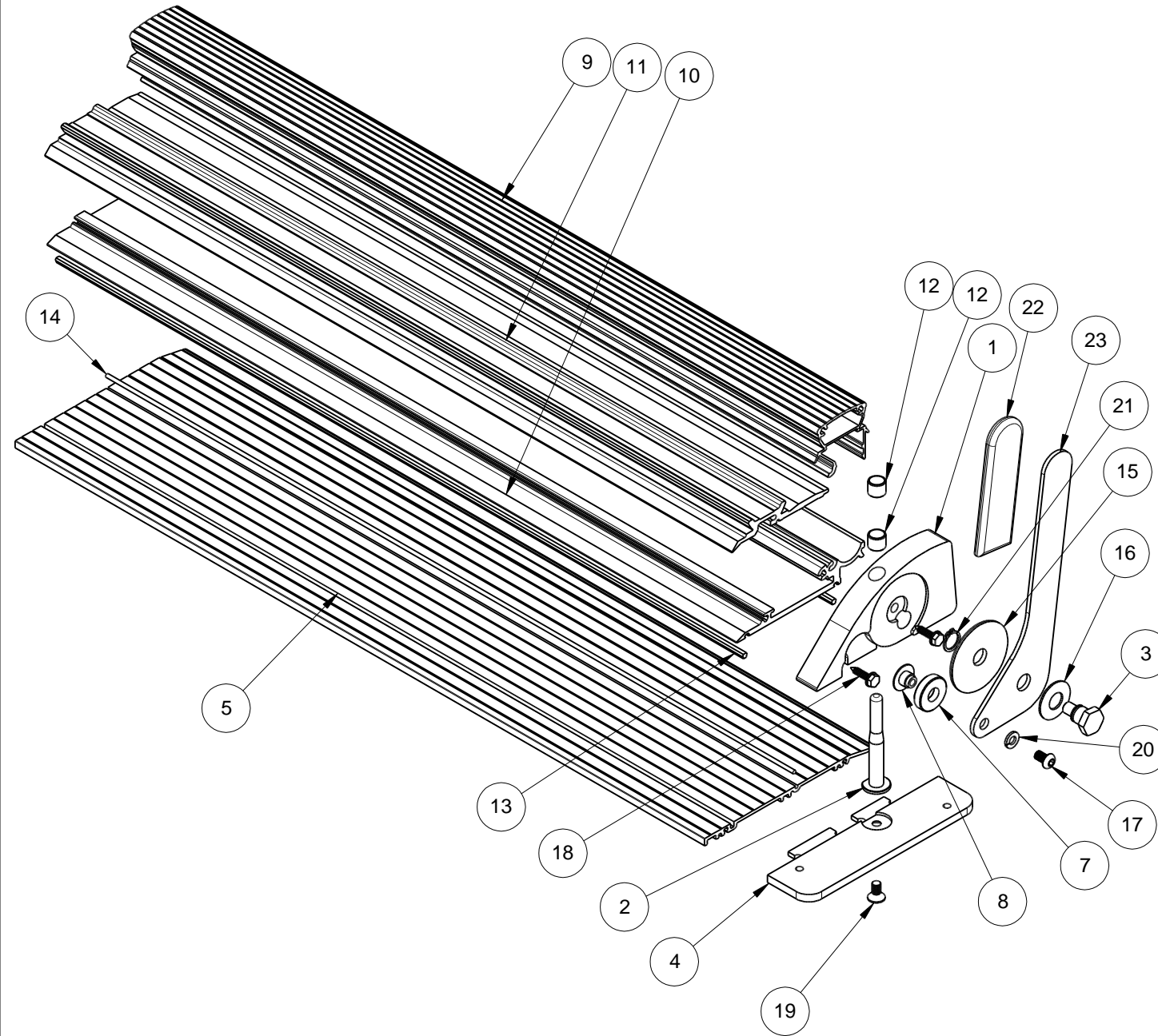


Javelin Integra Slideway & Base Assembly

KJ3#-002 parts (RH Side)

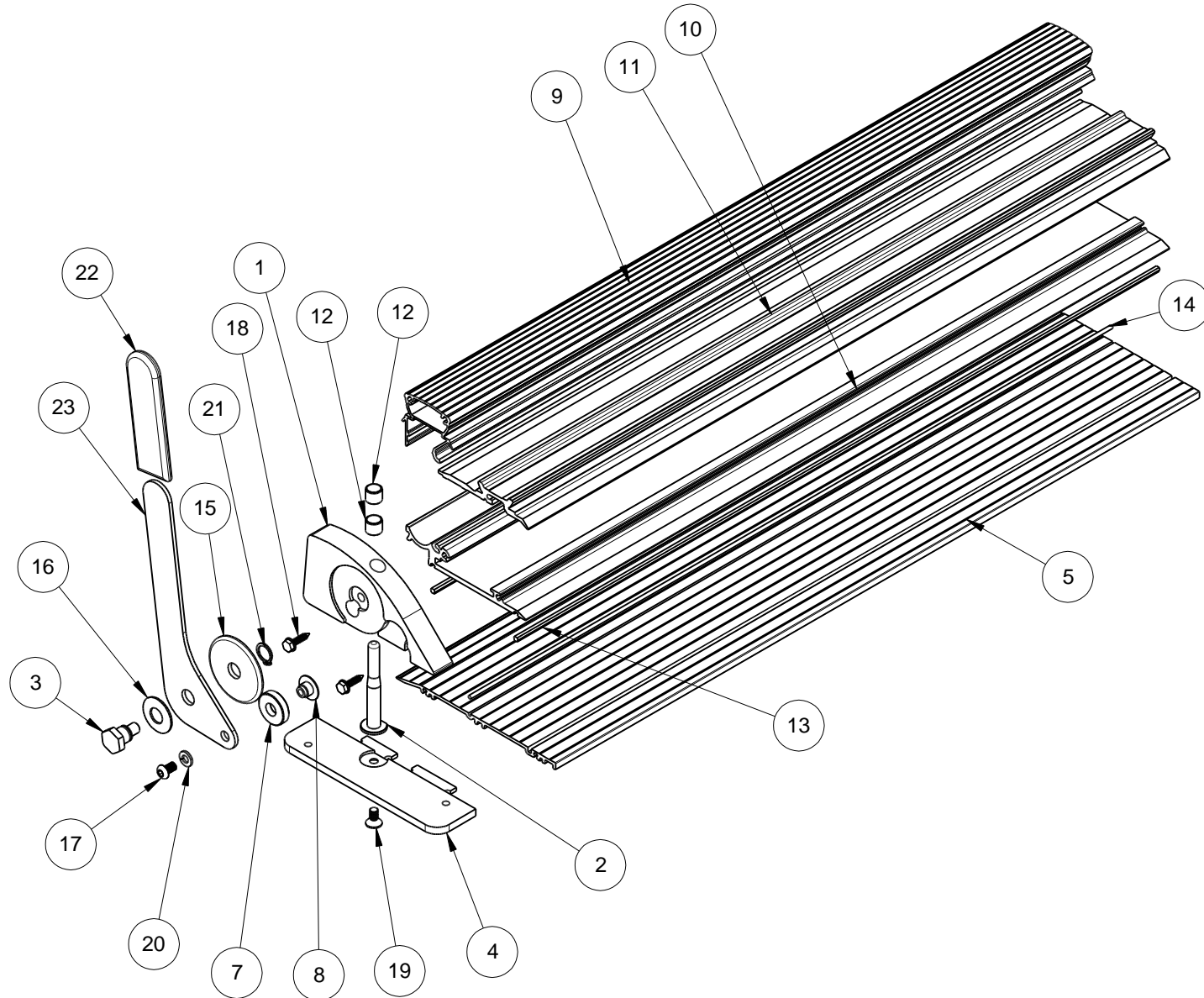


Item	Qty	Code	Description	Comment
1	1	KJ21-106	Lifter End Cap RH	
2	1	KJ21-105	Guide Post	
3	1	KJ21-104	Shoulder Bolt	
4	1	KJ21-102	RH End Plate	
5	1	KJ2#-108	Javelin Integra Base	
6	1	KJ01-110	Screw	
7	1	KE11-103	Lift and Hold Wheel	
8	1	KE11-102	M6 Flanged Bush	
9	1	KE1#-107	Cutter Bar Grip	
10	1	KE1#-106	Spine	
11	1	KE1#-105	Slideway	
12	2	CA75-150	Bush	
13	2	CA75-113	SILYLT	Supplied 10m lengths
14	1	CA75-109	SILYR	Supplied 10m lengths
15	1	CA75-077	LB Washer	
16	1	CA30-321	Disc Spring	
17	1	CA30-320	Screw	
18	2	CA30-314	Screw	
19	1	CA30-212	Screw	
20	1	CA30-075	SC Washer	
21	1	CA25-399	Circlip	
22	1	CA25-170	Flat Grip	
23	1	CA10-429	Lift and Hold Lever	

Javelin Integra Slideway & Base Assembly

KJ3#-002 parts (LH Side)

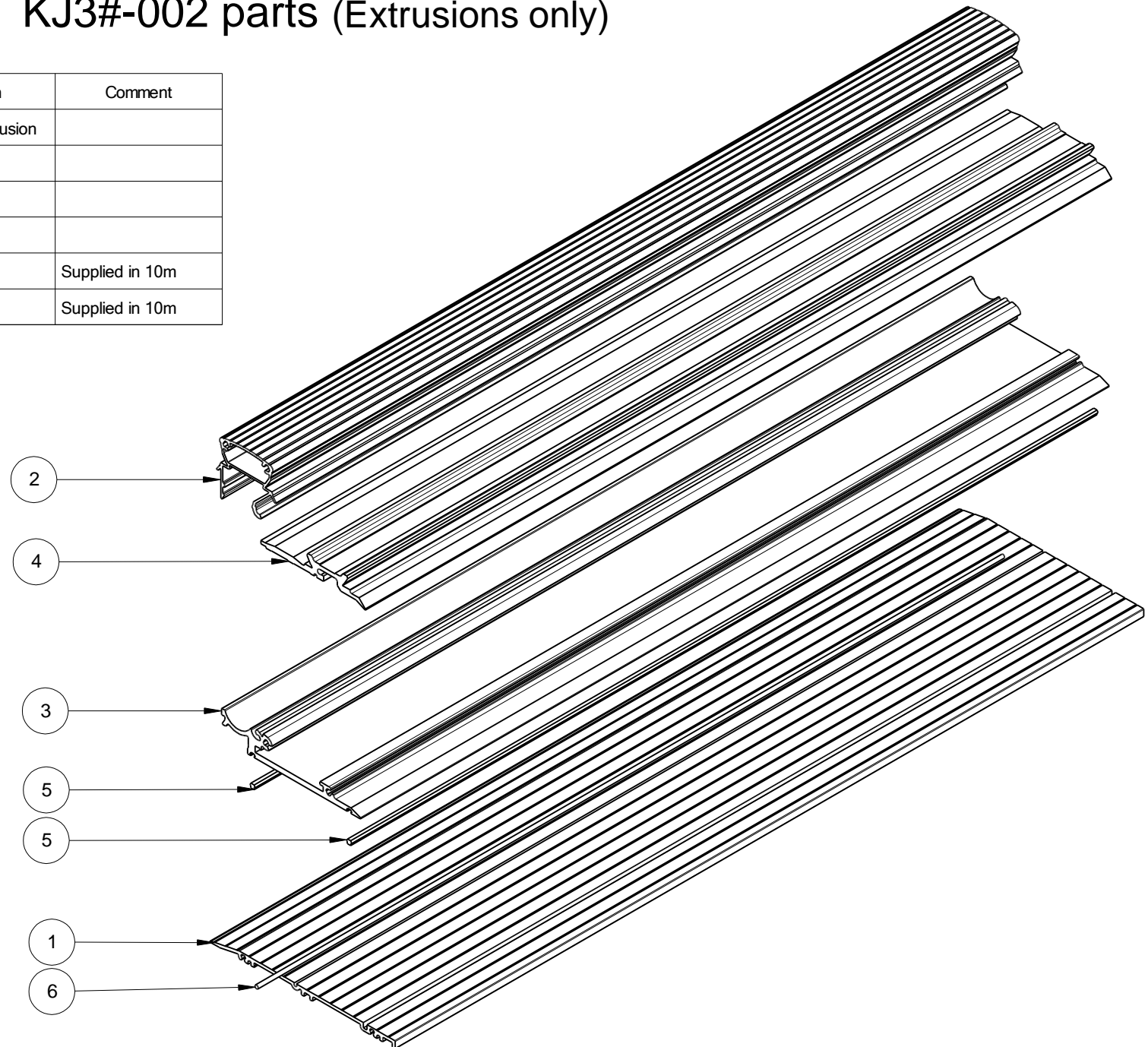
Item	Qty	Code	Description	Comment
1	1	KJ21-107	Lifter End Cap LH	
2	1	KJ21-105	Guide Post	
3	1	KJ21-104	Shoulder Bolt	
4	1	KJ21-103	LH End Plate	
5	1	KJ2#-108	Javelin Integra Base	
6	1	KJ01-110	Screw	
7	1	KE11-103	Lift and Hold Wheel	
8	1	KE11-102	Flanged Bush	
9	1	KE1#-107	Cutter Bar Grip	
10	1	KE1#-106	Spine	
11	1	KE1#-105	Slideway	
12	2	CA75-150	Bush	
13	2	CA75-113	SILYT	Supplied in 10m
14	1	CA75-109	SILYR	Supplied in 10m
15	1	CA75-077	Washer	
16	1	CA30-321	Disc Spring	
17	1	CA30-320	Screw	
18	2	CA30-314	Screw	
19	1	CA30-212	Screw	
20	1	CA30-075	SC Washer	
21	1	CA25-399	Circlip	
22	1	CA25-170	Flat Grip	
23	1	CA10-429	Lift and Hold Lever	



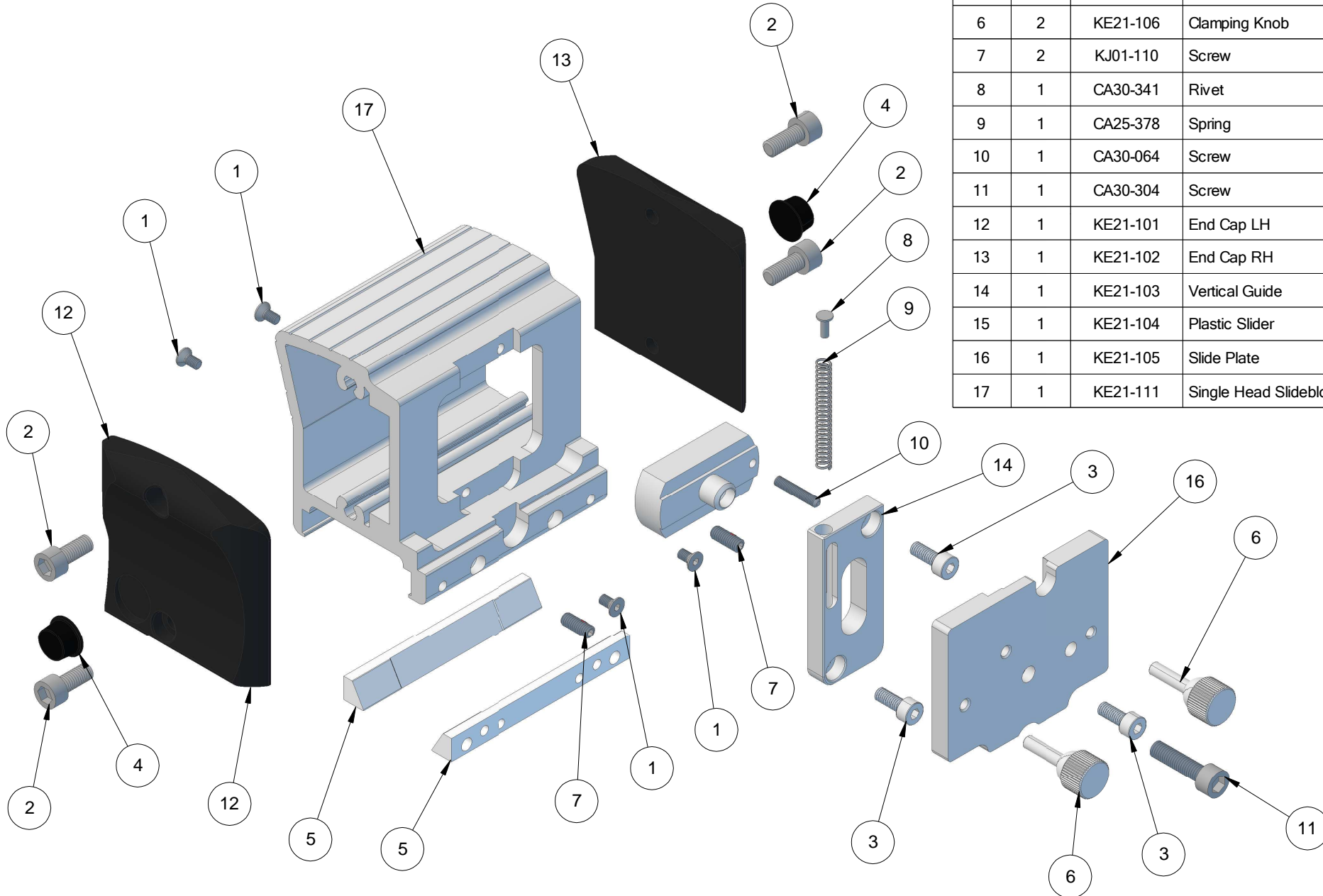
Javelin Integra Slideway & Base Assembly

KJ3#-002 parts (Extrusions only)

Item	Qty	Code	Description	Comment
1	1	KJ2#-108	Integra Base Extrusion	
2	1	KE1#-107	Cutter Bar Grip	
3	1	KE1#-106	Spine	
4	1	KE1#-105	Slideway	
5	2	CA75-113	SILYT	Supplied in 10m
6	1	CA75-109	SILYR	Supplied in 10m



Single Slideblock Assembly KJ21-010

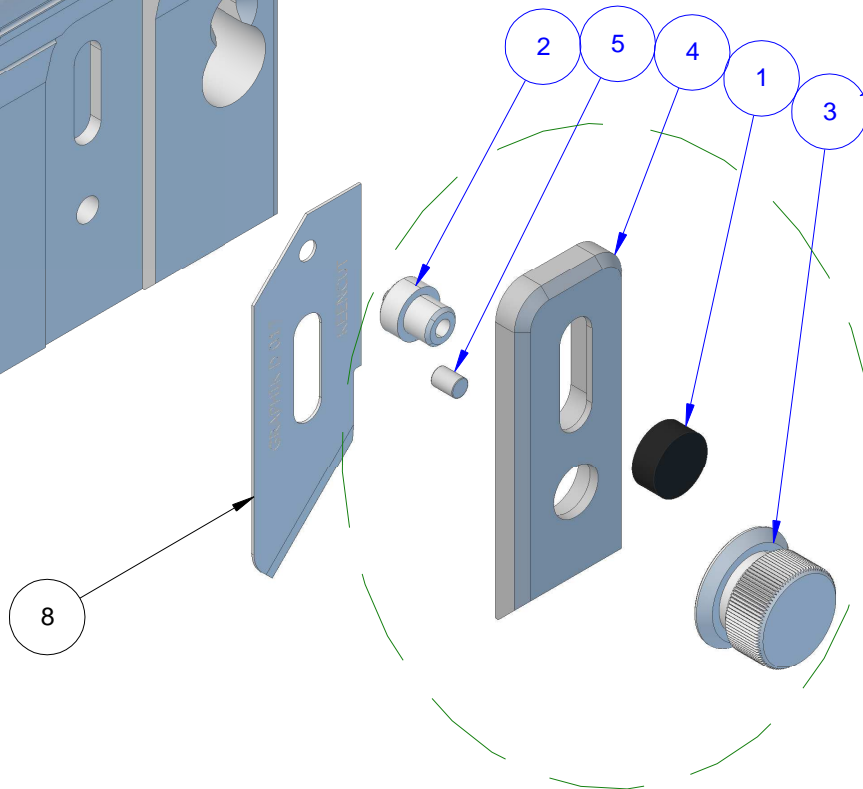
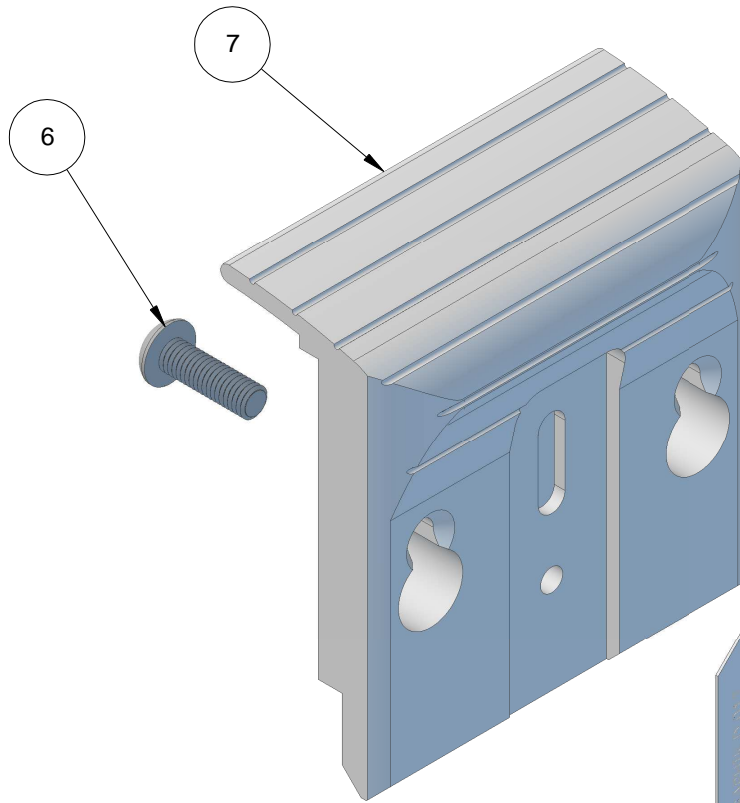


Item	Qty	Code	Description	Comment
1	4	CA30-200	Screw	
2	4	CA30-218	Screw	
3	3	CA30-013	Screw	
4	2	CA75-065	Rubber Bumper	
5	2	CA75-115	Linear Bearing	
6	2	KE21-106	Clamping Knob	
7	2	KJ01-110	Screw	
8	1	CA30-341	Rivet	
9	1	CA25-378	Spring	
10	1	CA30-064	Screw	
11	1	CA30-304	Screw	
12	1	KE21-101	End Cap LH	
13	1	KE21-102	End Cap RH	
14	1	KE21-103	Vertical Guide	
15	1	KE21-104	Plastic Slider	
16	1	KE21-105	Slide Plate	
17	1	KE21-111	Single Head Slideblock	

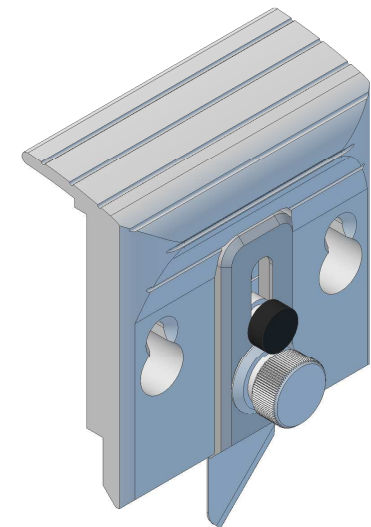
Graphik Blade Holder Assembly

KE21-011 (Sales Code VABHG)

Item	Qty	Code	Description	Comment
1	1	CA75-069	Knoblet	See balloon note
2	1	KE21-107	Blade adjuster	See balloon note
3	1	KE21-116	Blade Clamp Knob	See balloon note
4	1	KE21-109	Blade Clamp Plate	See balloon note
5	1	CA25-379	Magnet	See balloon note
6	1	CA30-254	Screw	
7	1	KE21-110	GRAPHIK Blade Holder	
8	1	CA50-032	GRAPHIK blade	Not included

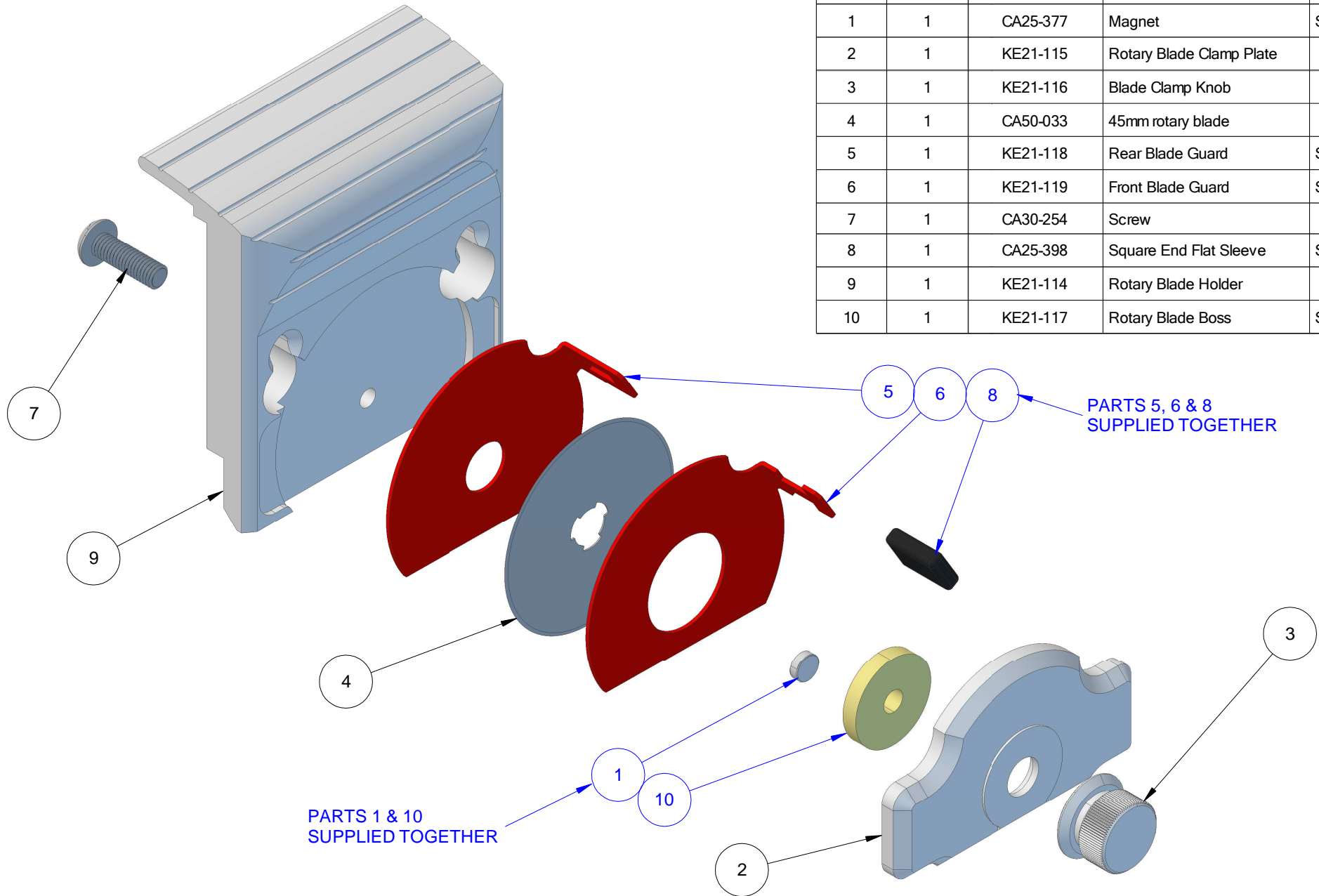


PARTS 1 TO 5 ONLY
AVAILABLE ASSEMBLED
TOGETHER.



Textile Tool Holder Assembly KE21-012 (Sales Code VABHC)

Item	Qty	Code	Description	Comment
1	1	CA25-377	Magnet	Supplied with 10
2	1	KE21-115	Rotary Blade Clamp Plate	
3	1	KE21-116	Blade Clamp Knob	
4	1	CA50-033	45mm rotary blade	
5	1	KE21-118	Rear Blade Guard	Supplied with 6 & 8
6	1	KE21-119	Front Blade Guard	Supplied with 5 & 8
7	1	CA30-254	Screw	
8	1	CA25-398	Square End Flat Sleeve	Supplied with 5 & 6
9	1	KE21-114	Rotary Blade Holder	
10	1	KE21-117	Rotary Blade Boss	Supplied with 1



Medium Duty Blade Holder Assy L-R

KE21-013 (Sales Code VABHML)

Item	Qty	Code	Description	Comment
1	2	CA25-377	Magnet	Supplied with 2 or 8
2	1	KE21-129	Blade Guide	Supplied with 1
3	1	CA25-405	MD Holder Blade Depth Label	Part of set
4	1	CA30-045	Screw	
5	1	CA75-010	Knoblet	Supplied with 6
6	1	CA30-218	Screw	Supplied with 5
7	2	CA30-188	Screw	
8	1	KE21-127	Blade Clamp Support	Supplied with 1
9	1	KE21-128	Blade Clamp	
10	1	KE21-126	Medium Duty Blade Holder L-R	
11	1	CA50-019	Med Duty Blade	Not included

