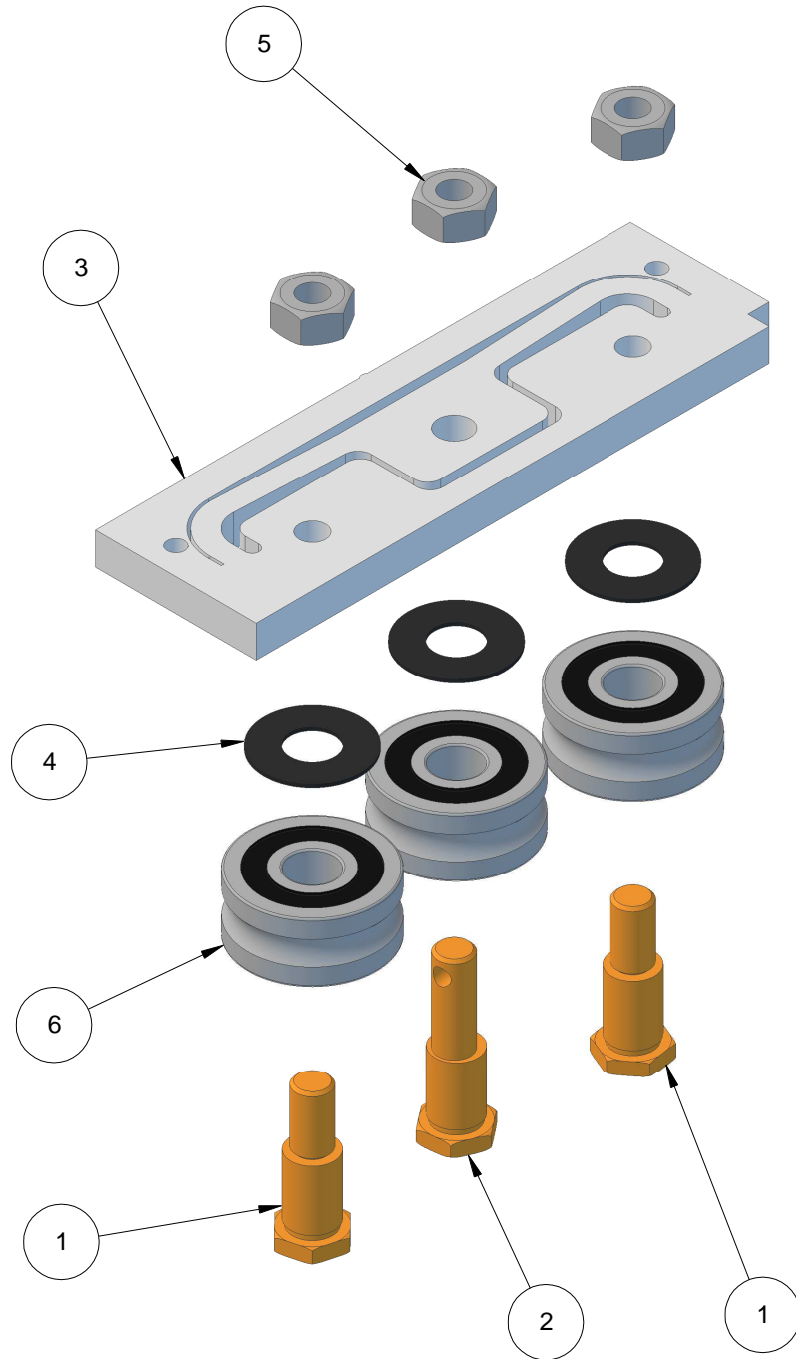


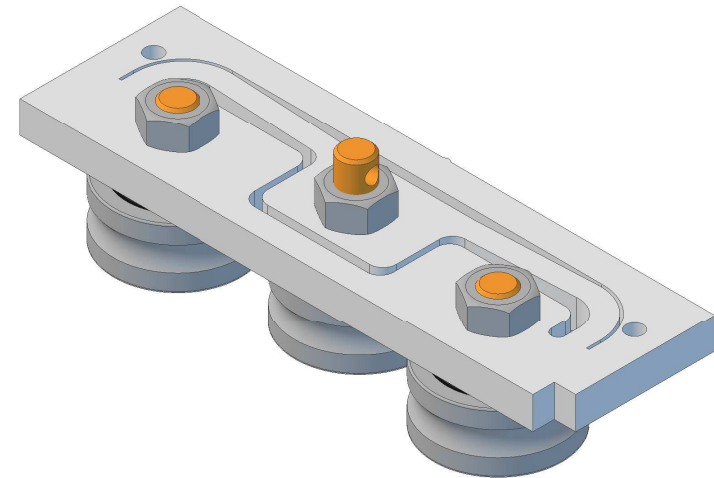
| Item | Qty | Part Name | Description                | Comment           |
|------|-----|-----------|----------------------------|-------------------|
| 1    | 1   | KU21-118  | Futura Start of Cut Rod    |                   |
| 2    | 1   | KU21-112  | Slideblock                 |                   |
| 3    | 2   | KU21-109  | Blade Holder Shaft         |                   |
| 4    | 1   | KU21-004  | Bevel Blade Holder Assy    |                   |
| 5    | 1   | KU21-003  | Vertical Blade Holder Assy |                   |
| 6    | 1   | KU21-002  | Slideblock Base Assy       |                   |
| 7    | 2   | CA30-211  | Disc Spring                |                   |
| 8    | 2   | CA30-187  | Nyloc Nut                  |                   |
| 9    | 2   | CA30-133  | Screw                      |                   |
| 10   | 2   | CA30-006  | Screw                      |                   |
| 11   | 1   | CA25-411  | Torsion Spring Right Hand  | Trim one end      |
| 12   | 1   | CA25-410  | Torsion Spring Left Hand   | Trim one end      |
| 13   | 1   | CA25-409  | Futura Start of Cut Scale  | Part of label set |
| 14   | 2   | CA25-191  | Thrust Bearing             |                   |
| 15   | 4   | CA25-178  | Thrust Washer              |                   |
| 16   | 2   | CA25-052  | Bearing                    |                   |

# Track Roller Plate Assembly KU21-002



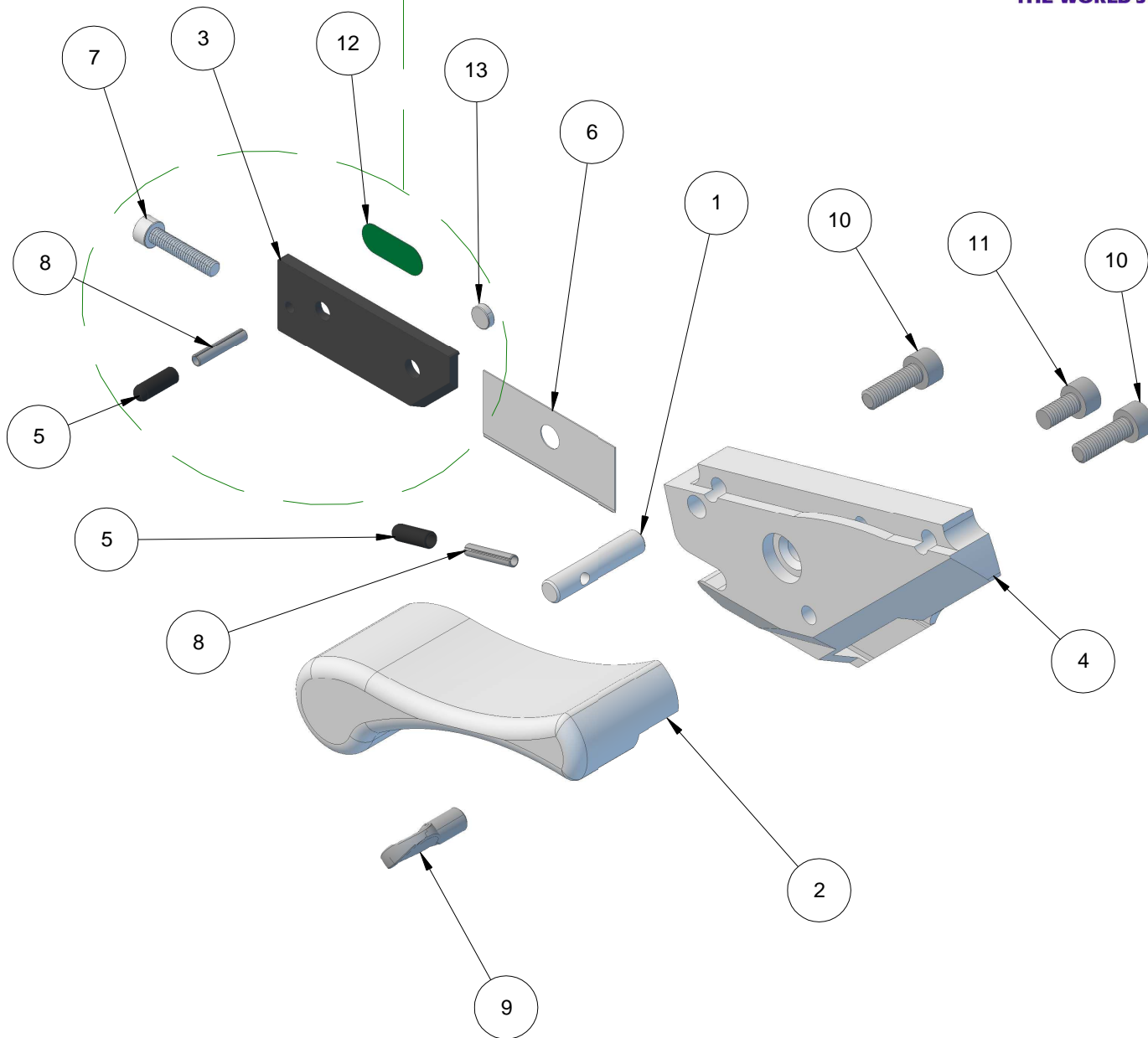
| Item Number | Quantity | Part Name | Description           | Comment               |
|-------------|----------|-----------|-----------------------|-----------------------|
| 1           | 2        | KU21-106  | Shoulder Bolt         |                       |
| 2           | 1        | KU21-105  | Eccentric Bolt        |                       |
| 3           | 1        | KU21-104  | Slideblock Base Plate |                       |
| 4           | 3        | CA30-221  | Disc Spring           | Orientation important |
| 5           | 3        | CA30-057  | Nut                   |                       |
| 6           | 3        | CA25-295  | Track Roller          |                       |

UNDER MOST CIRCUMSTANCES THIS ASSEMBLY SHOULD BE SOLD WHOLE

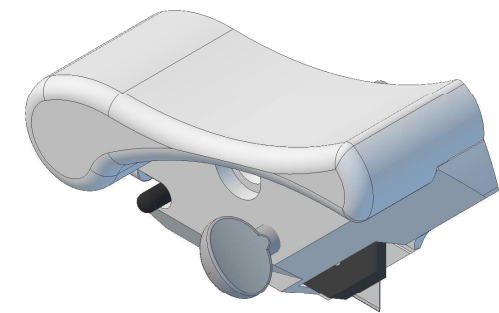


Blade Cartridge

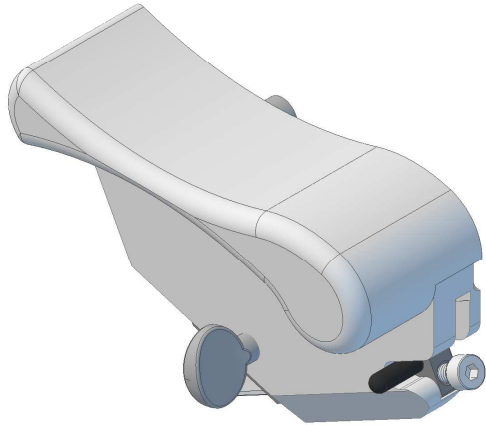
Parts 3, 5, 7, 8, 12 & 13  
available as code FVC



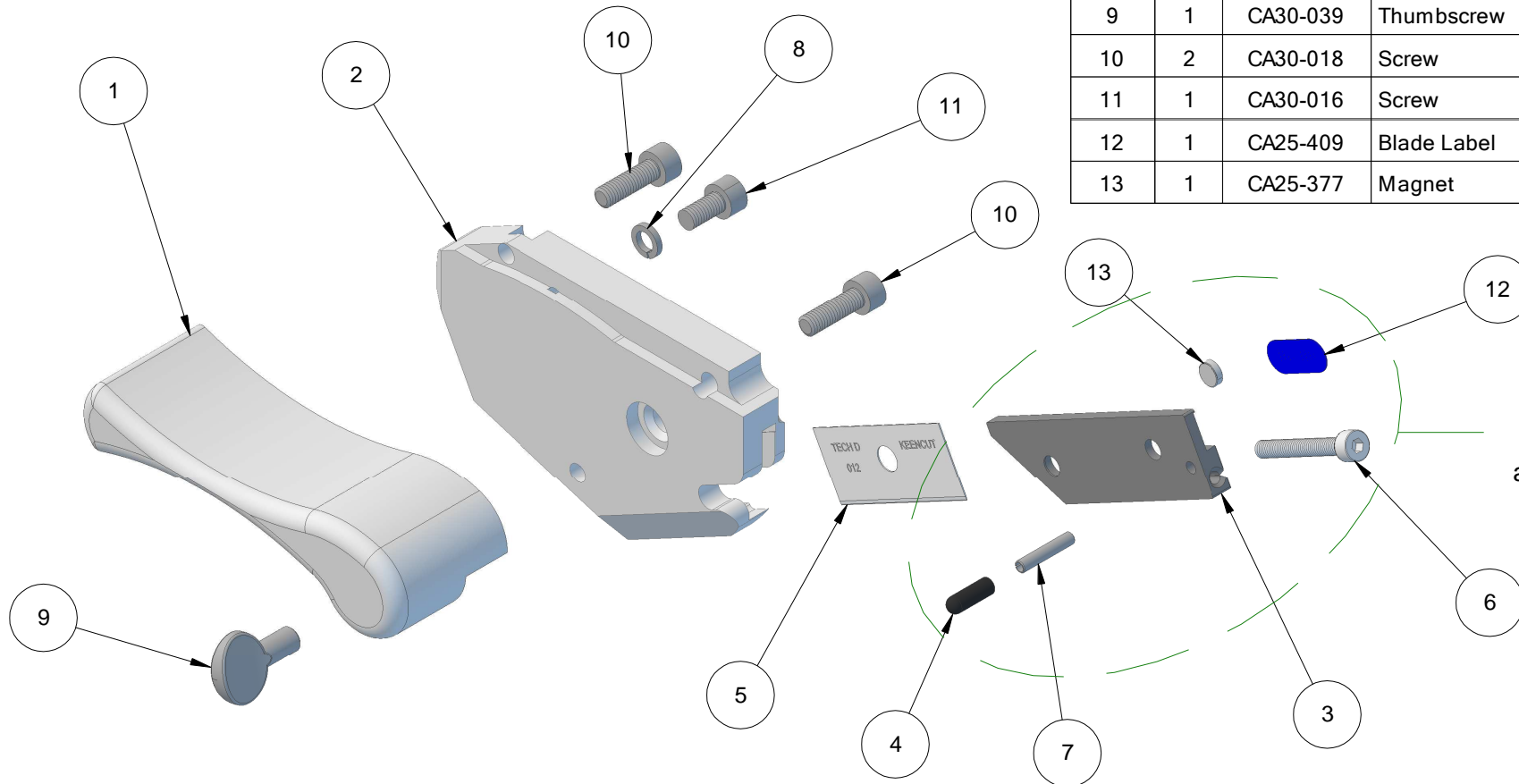
| Item | Qty | Part Name | Description                | Comment           |
|------|-----|-----------|----------------------------|-------------------|
| 1    | 1   | KU21-120  | Lock Pin                   |                   |
| 2    | 1   | KU21-102  | Vertical Blade Holder Grip |                   |
| 3    | 1   | KU21-101  | Vertical Blade Clamp Plate |                   |
| 4    | 1   | KU21-100  | Vertical Blade Holder      |                   |
| 5    | 2   | CA75-105  | End Tip                    |                   |
| 6    | 1   | CA50-017  | TECH D 012 Blade           | Supplied box 100  |
| 7    | 1   | CA30-327  | Screw                      |                   |
| 8    | 2   | CA30-325  | Pin                        |                   |
| 9    | 1   | CA30-039  | Thumbscrew                 |                   |
| 10   | 2   | CA30-018  | Screw                      |                   |
| 11   | 1   | CA30-016  | Screw                      |                   |
| 12   | 1   | CA25-409  | Blade Label                | Part of label set |
| 13   | 1   | CA25-377  | Magnet                     |                   |



## Bevel Blade Holder Assembly KU21-004



| Item | Qty | Part Name | Description             | Comment             |
|------|-----|-----------|-------------------------|---------------------|
| 1    | 1   | KU21-108  | Bevel Blade Holder Grip |                     |
| 2    | 1   | KU21-107  | Bevel Blade Holder      |                     |
| 3    | 1   | KU21-103  | Bevel Clamp Plate       |                     |
| 4    | 1   | CA75-105  | End Tip                 |                     |
| 5    | 1   | CA50-017  | TECH D 012 Blade        | Supplied in box 100 |
| 6    | 1   | CA30-340  | Screw                   |                     |
| 7    | 1   | CA30-325  | Pin                     |                     |
| 8    | 1   | CA30-170  | Washer                  |                     |
| 9    | 1   | CA30-039  | Thumbscrew              |                     |
| 10   | 2   | CA30-018  | Screw                   |                     |
| 11   | 1   | CA30-016  | Screw                   |                     |
| 12   | 1   | CA25-409  | Blade Label             | Part of label set   |
| 13   | 1   | CA25-377  | Magnet                  |                     |



**Bevel Blade Cartridge**  
Parts 3, 4, 6, 11, 12 & 13  
available as part code FBC

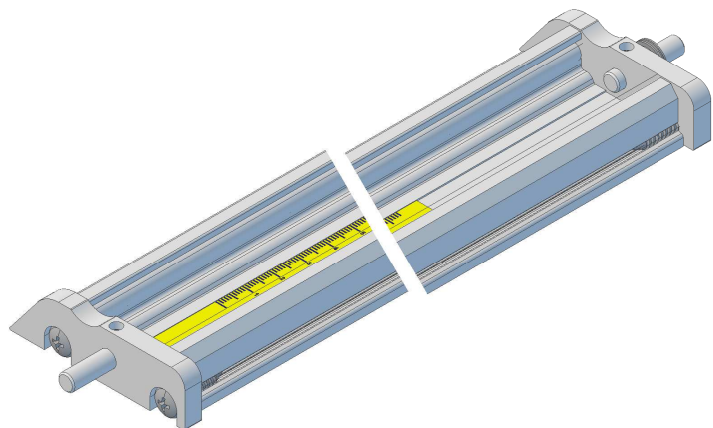
# KEENCUT

THE WORLD'S FINEST CUTTING MACHINES

## Futura Slideway Assembly

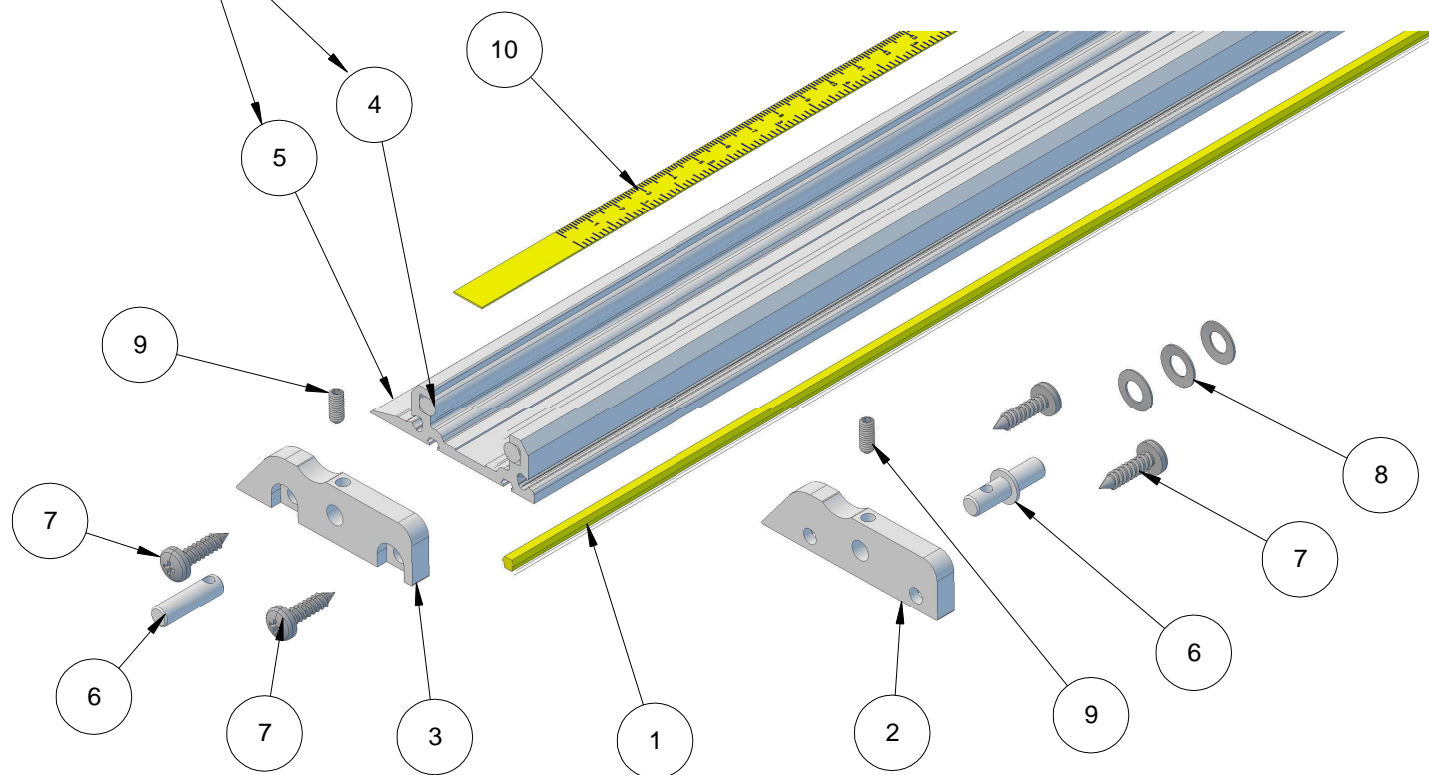
### KU2#-005

#=1 for 100, 2 for 120, 3 for 150

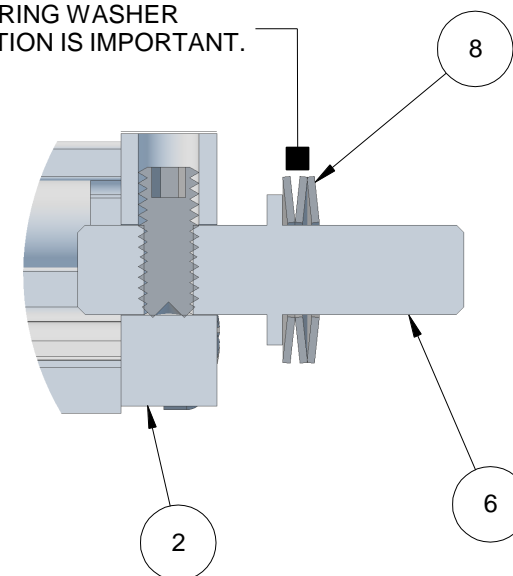


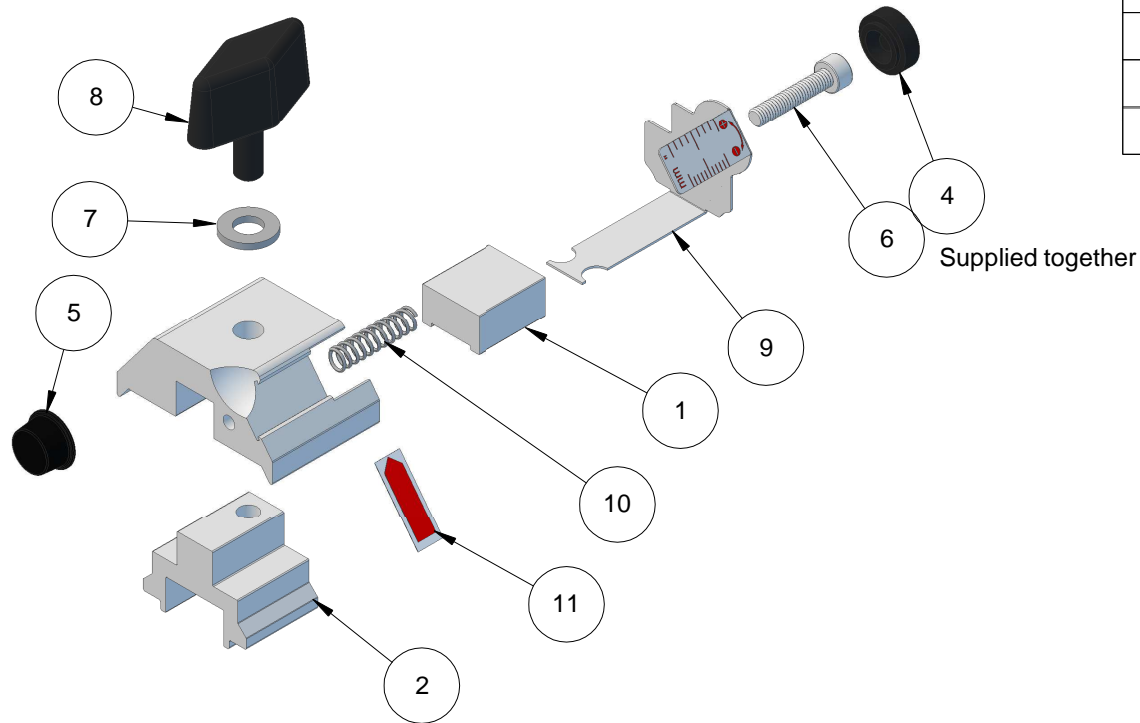
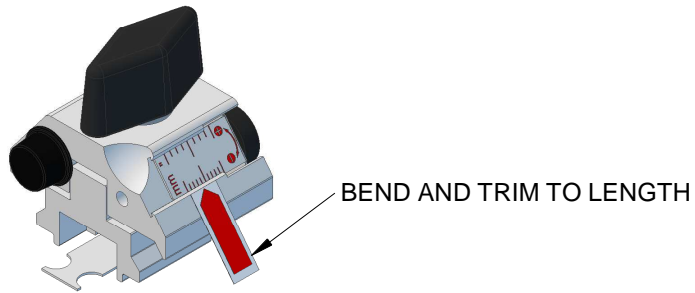
| Item | Qty | Part Name | Part Number           | Comment                                 |
|------|-----|-----------|-----------------------|---|
| 1    | 1   | SILYT     | Grip Cord             | 10m length                              |
| 2    | 1   | KU21-111  | Top Slideway Mount    |   |
| 3    | 1   | KU21-110  | Bottom Slideway Mount |   |
| 4    | 2   | KU2#-117  | Guide Rod             | #=1 for 100, 2 for 120, 3 for 150       |
| 5    | 1   | KU2#-116  | Futura Slideway       | #=1 for 100, 2 for 120, 3 for 150       |
| 6    | 1   | KU11-138  | Flanged Pivot         |   |
| 7    | 4   | CA30-249  | Screw                 |   |
| 8    | 3   | CA30-211  | Spring Washer         | Orientation is important when assembled |
| 9    | 2   | CA30-131  | Screw                 |   |
| 10   | 1   | CA25-409  | Finish of Cut Scale   | Part of label set                       |

Items 4(x2) & 5 can only be supplied together

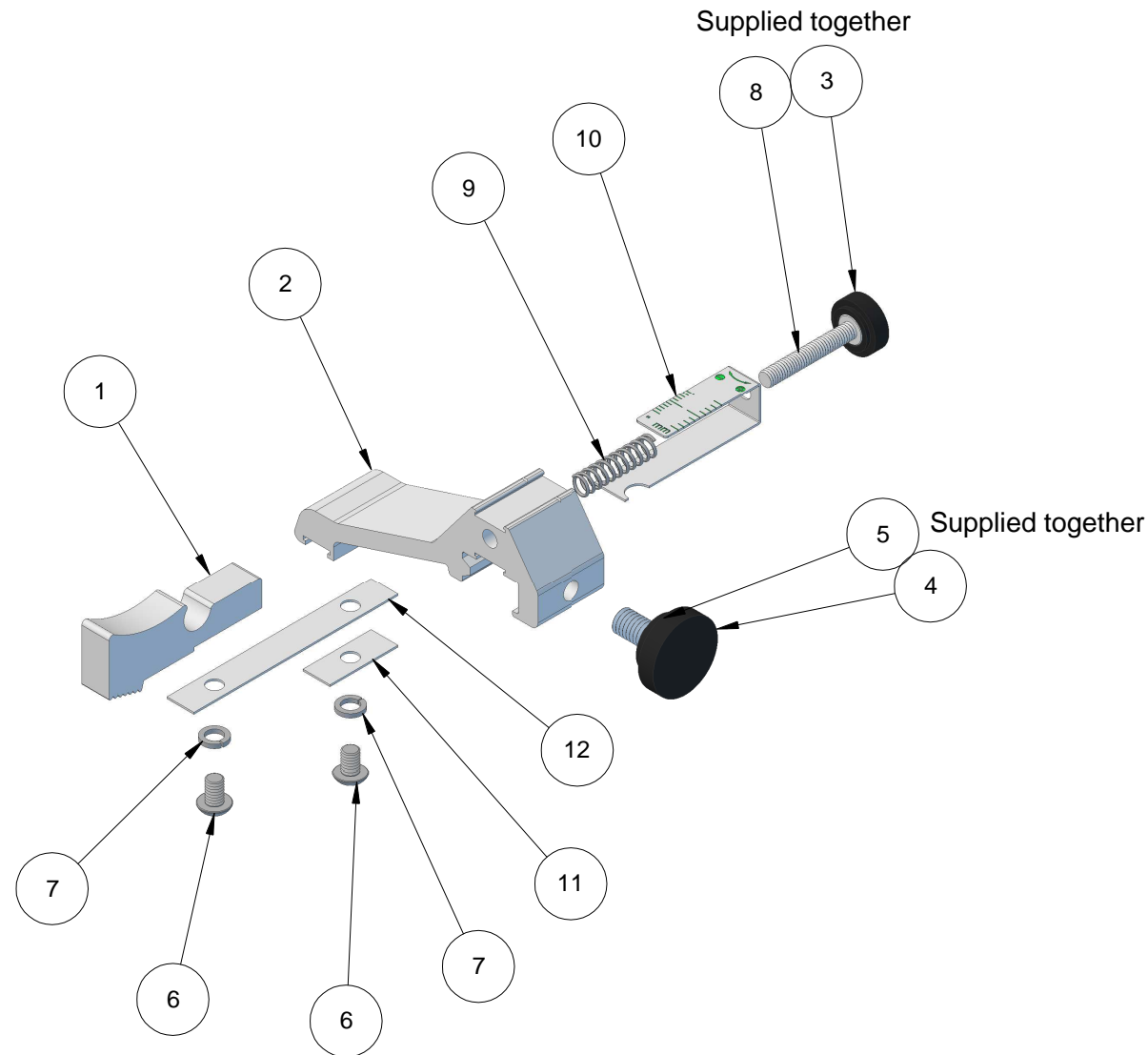


NOTE: SPRING WASHER ORIENTATION IS IMPORTANT.





| Item | Qty | Part Name | Description            | Comment         |
|------|-----|-----------|------------------------|-----------------|
| 1    | 1   | KU21-115  | Cursor Block           |                 |
| 2    | 1   | KU21-114  | End of Cut Clamp Block |                 |
| 3    | 1   | KU21-113  | End of Cut Block       |                 |
| 4    | 1   | CA75-093  | Knoblet                | Supplied with 6 |
| 5    | 1   | CA75-065  | Rubber Bumper          |                 |
| 6    | 1   | CA30-327  | Screw                  | Supplied with 4 |
| 7    | 1   | CA30-033  | Washer                 |                 |
| 8    | 1   | CA30-007  | Wingbolt               |                 |
| 9    | 1   | CA25-408  | End of Cut Cursor      |                 |
| 10   | 1   | CA25-108  | Spring                 |                 |
| 11   | 1   | CA25-034  | Red Arrow Label        |                 |



| Item | Qty | Number   | Description                 | Comment          |
|------|-----|----------|-----------------------------|------------------|
| 1    | 1   | KU21-121 | Start of Cut Finger         |                  |
| 2    | 1   | KU11-114 | Start of Cut Arm            |                  |
| 3    | 1   | CA75-093 | Knoblet                     | Supplied with 8  |
| 4    | 1   | CA75-009 | Knoblet                     | Supplied with 5  |
| 5    | 1   | CA30-191 | Nylon Screw                 | Supplied with 4  |
| 6    | 2   | CA30-138 | Screw                       |                  |
| 7    | 2   | CA30-134 | Washer                      |                  |
| 8    | 1   | CA30-006 | Screw                       | Suipplied with 3 |
| 9    | 1   | CA25-108 | Spring                      |                  |
| 10   | 1   | CA10-194 | Start of Cut Cursor         |                  |
| 11   | 1   | CA10-064 | Start of Cut Spring Support |                  |
| 12   | 1   | CA10-063 | Start of Cut Spring         |                  |

