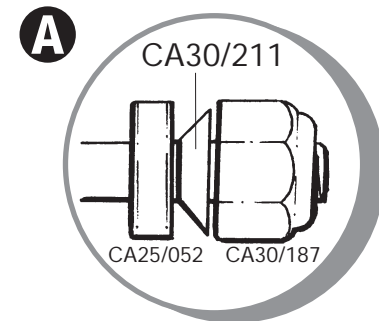
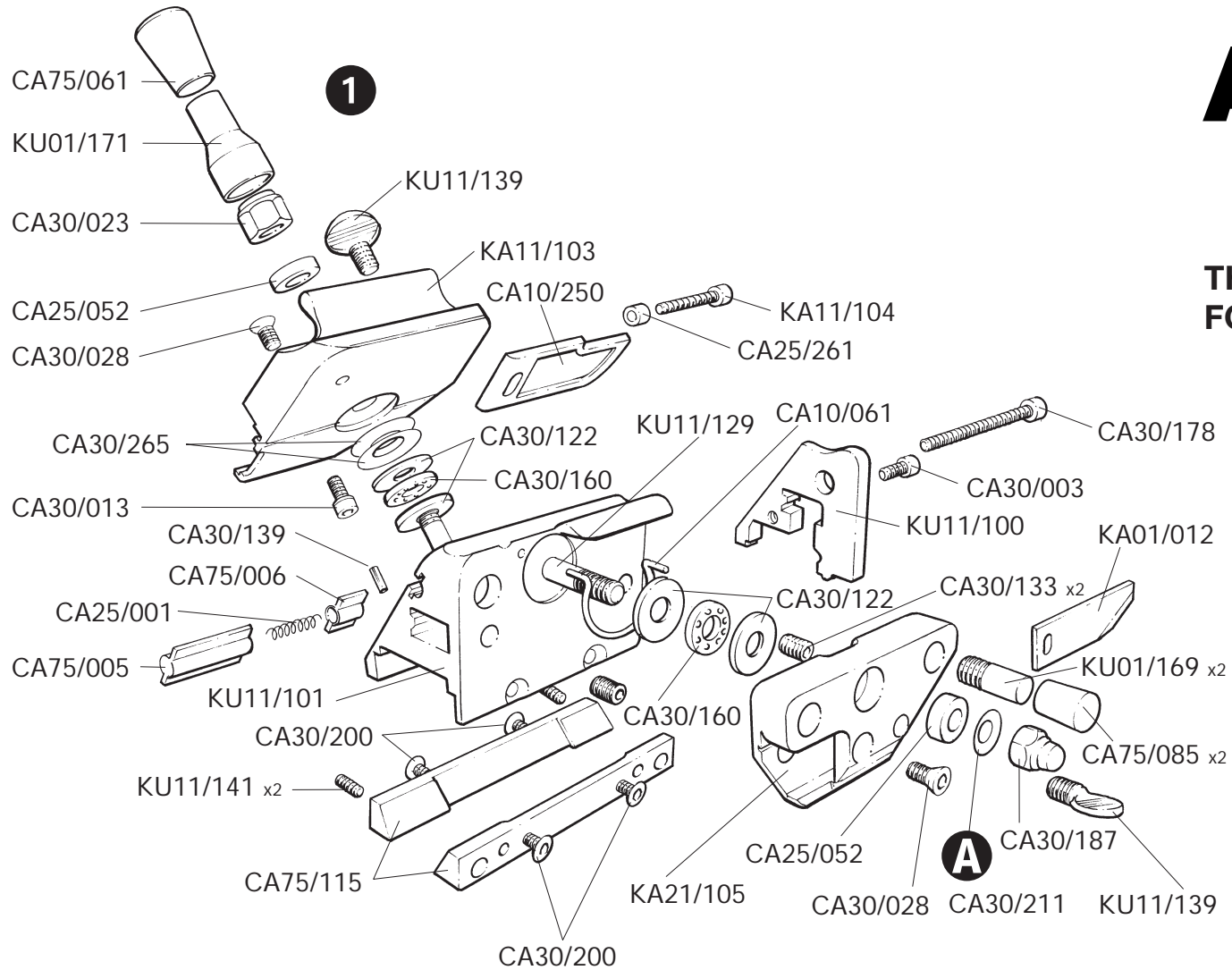


1 CUTTER HEAD ASSEMBLY - SPARE PARTS

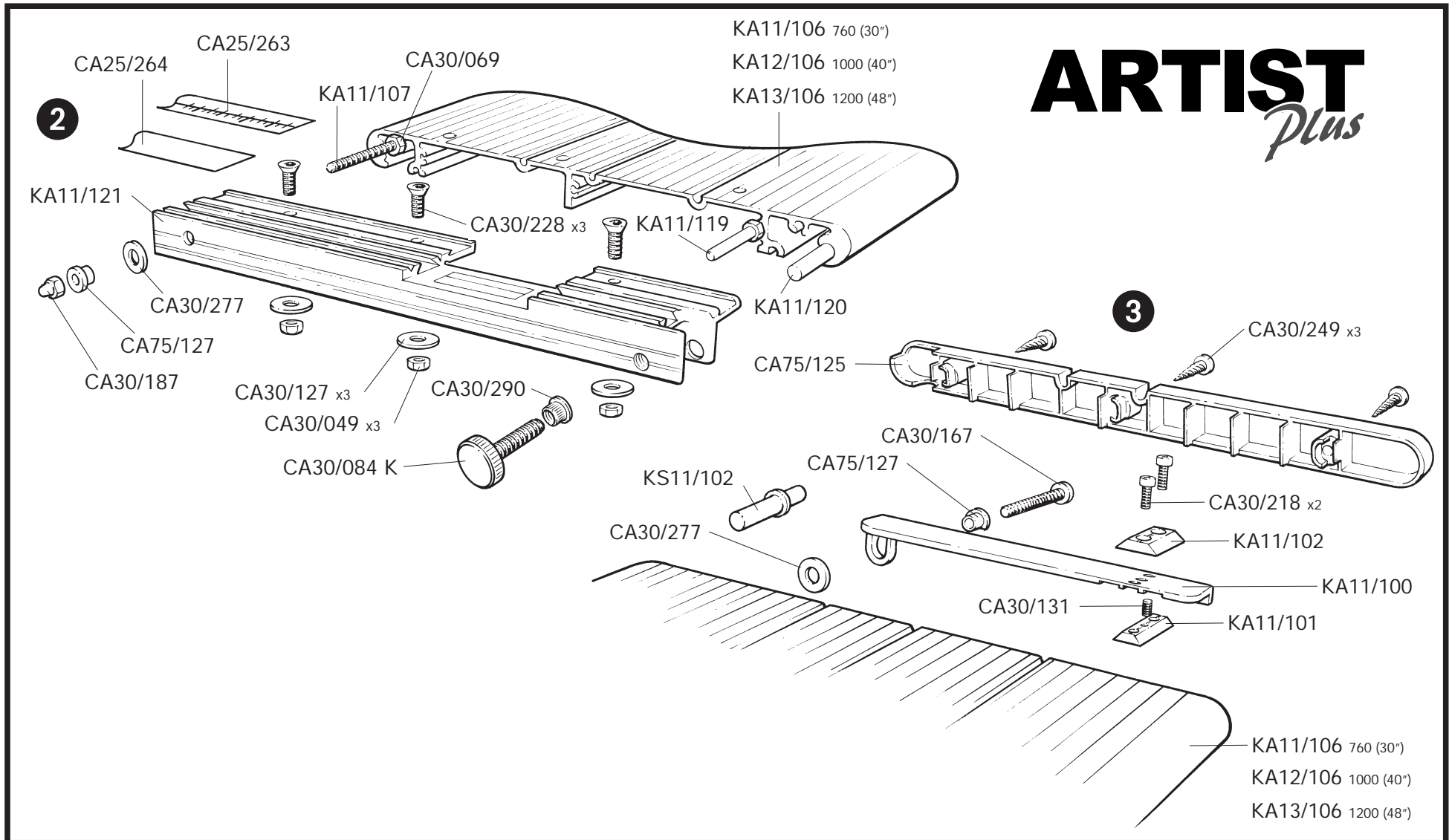
ARTIST
Plus

THE CORRECT POSITION FOR SPRING WASHER

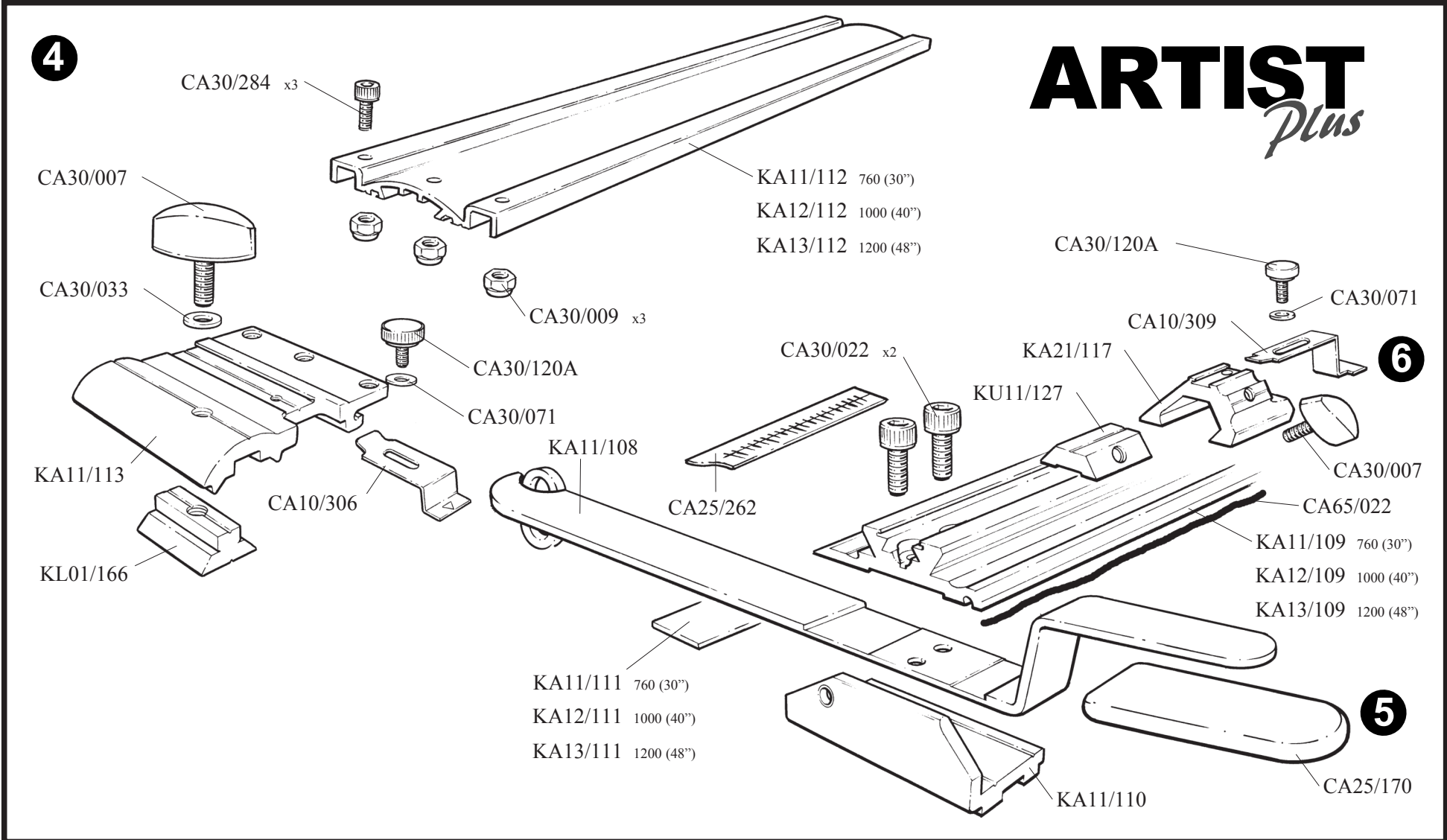


2 BOTTOM END PLATE ASSEMBLY,
3 TOP END PLATE ASSEMBLY

ARTIST
Plus



4 MAT GUIDE LIMIT STOP ASSEMBLY, **5** LIFTING HANDLE/
CUTTER BAR ASSEMBLY, **6** END OF CUT LIMIT STOP



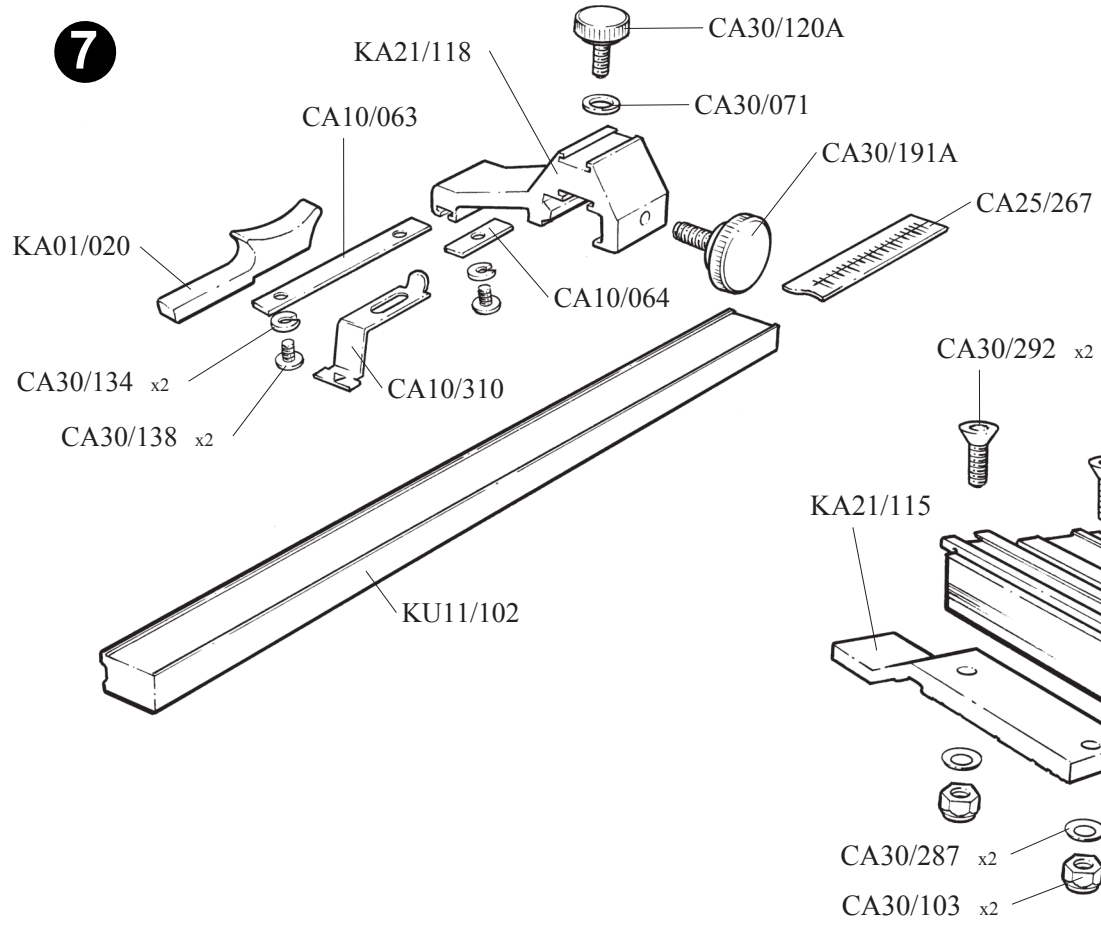
KEENCUT

THE WORLD'S FINEST CUTTING MACHINES

7 START OF CUT LIMIT STOP ASSEMBLY, 8 MEASURING ARM ASSEMBLY

ARTIST *Plus*

7



8

