

ARTIST

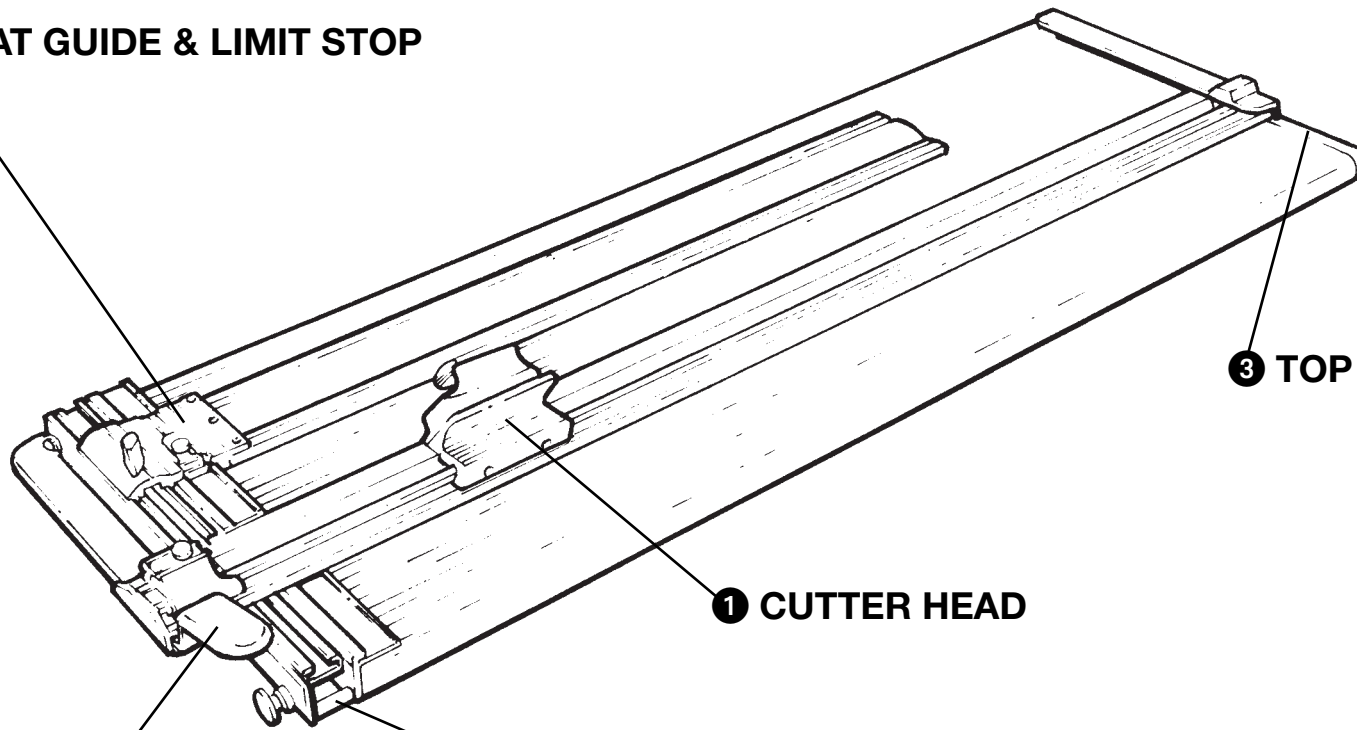
④ MAT GUIDE & LIMIT STOP

③ TOP END ASSEMBLY

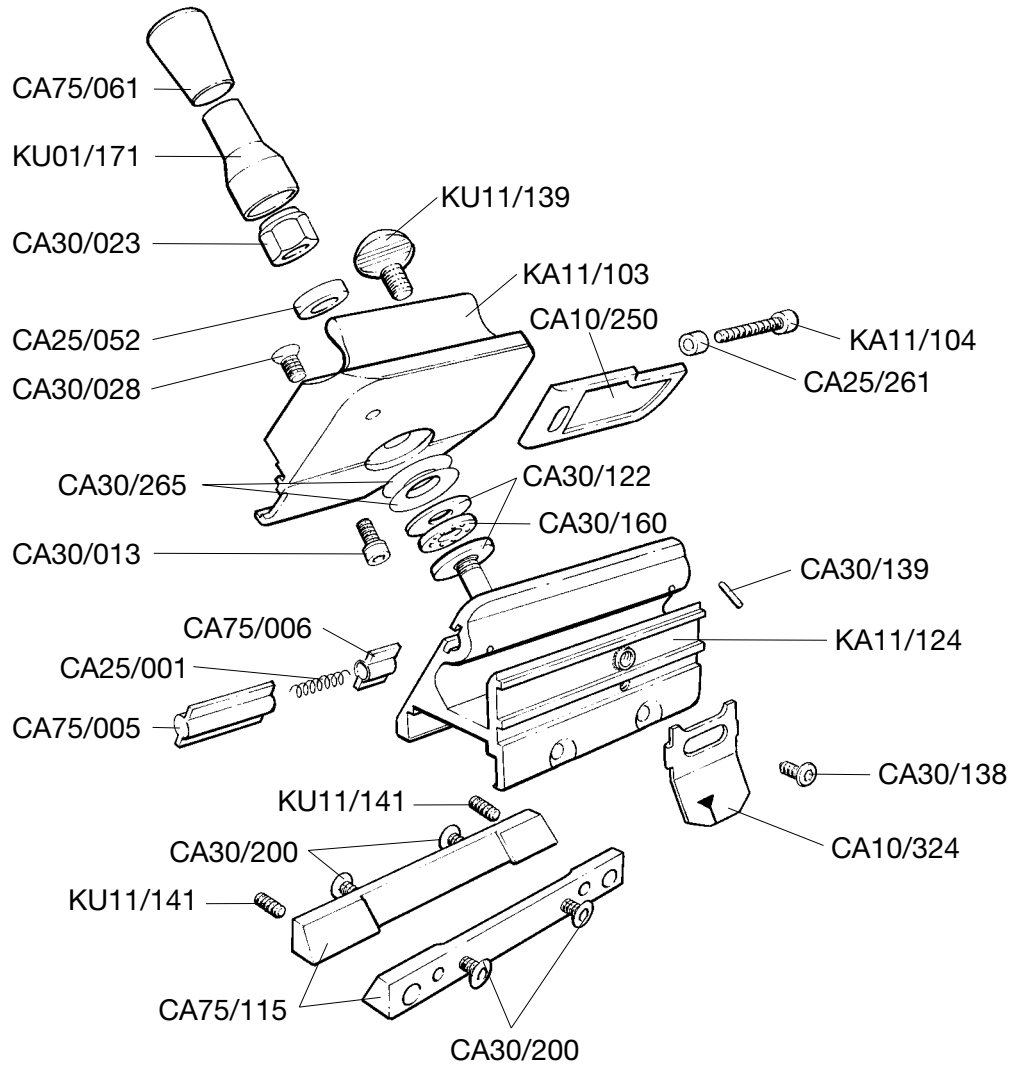
① CUTTER HEAD

② BOTTOM END PLATE

LIFTING ARM ⑤

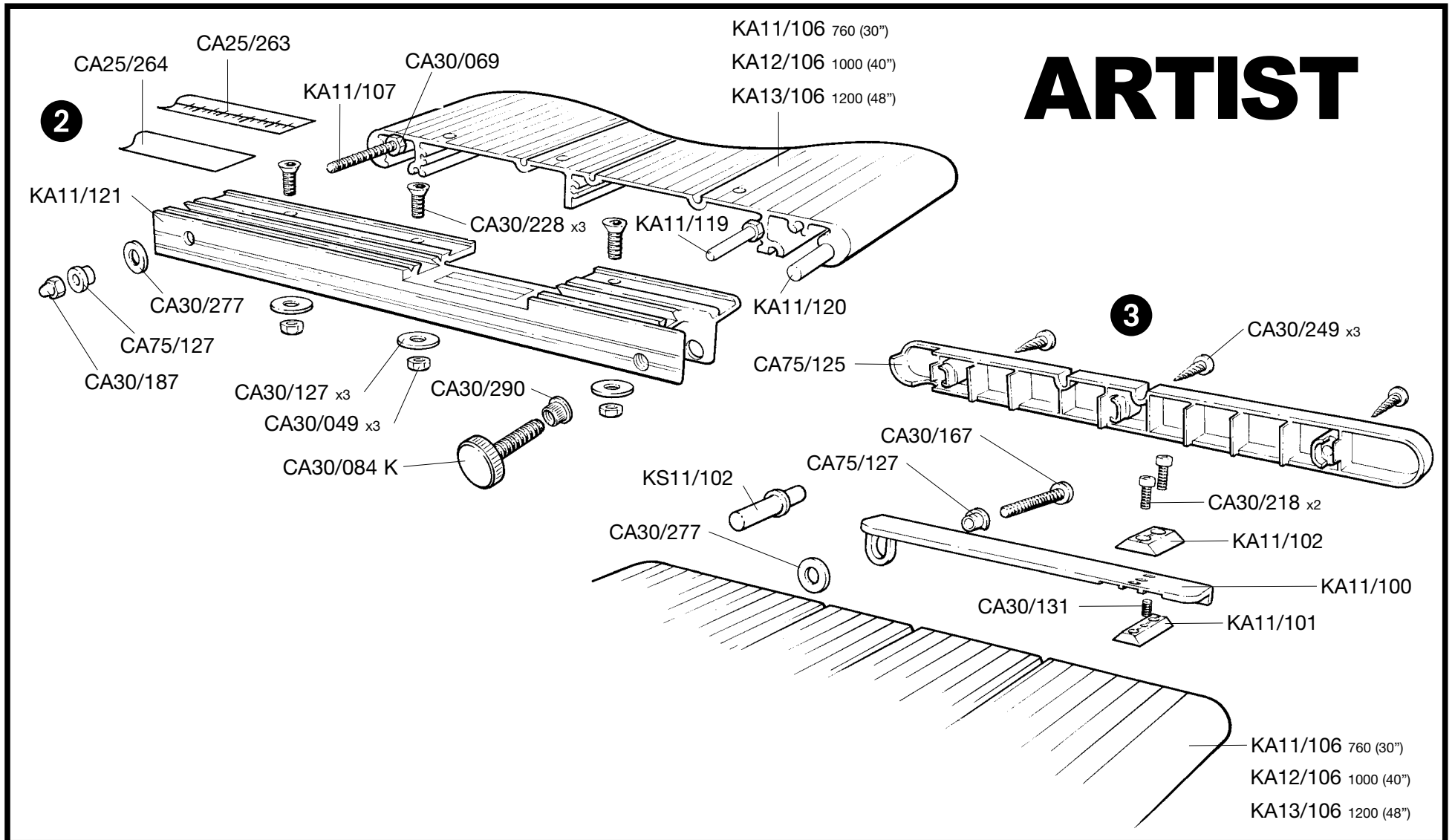


ARTIST



2 BOTTOM END PLATE ASSEMBLY,
3 TOP END PLATE ASSEMBLY

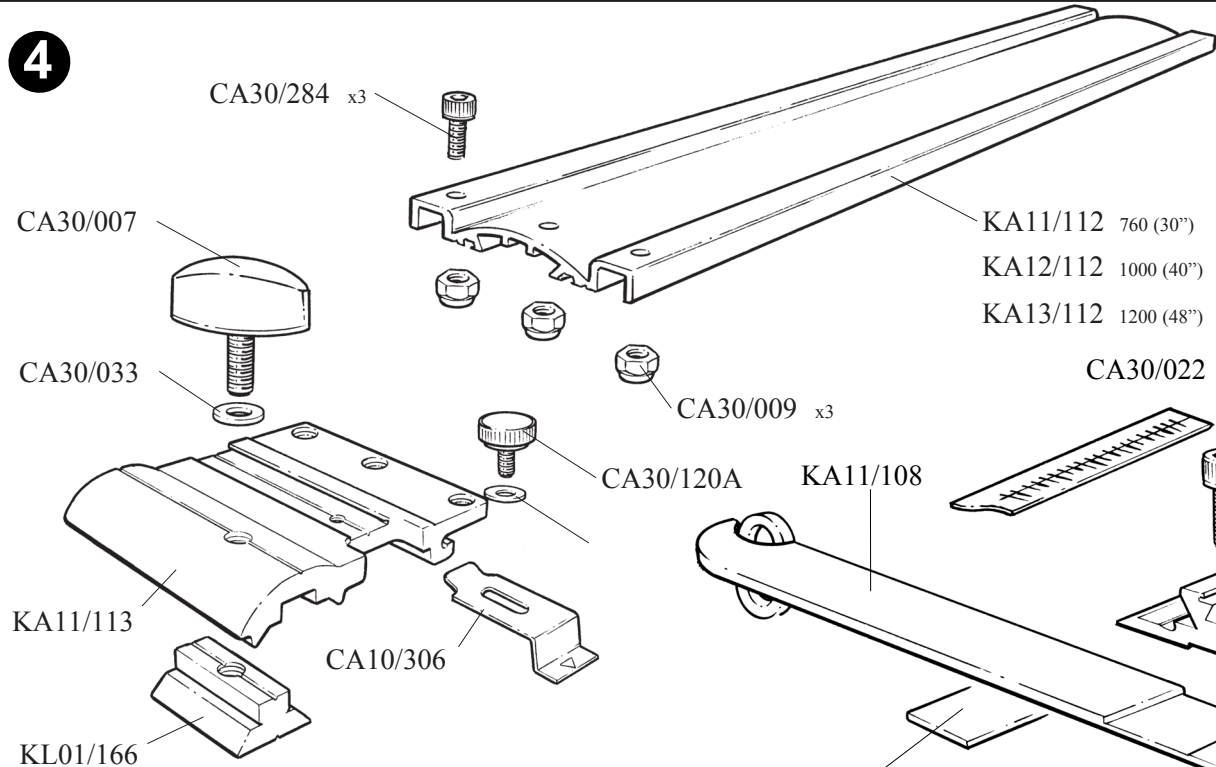
ARTIST



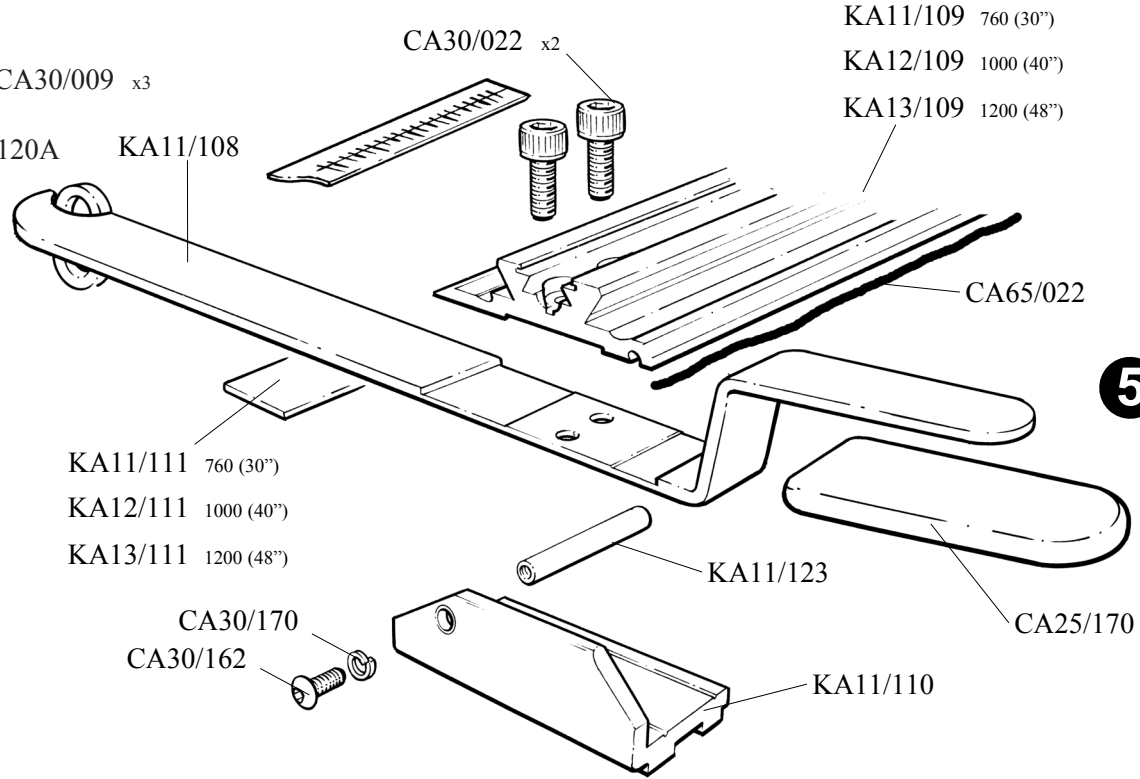
4 MAT GUIDE LIMIT STOP ASSEMBLY
5 LIFTING HANDLE/ CUTTER BAR ASSEMBLY

ARTIST

4



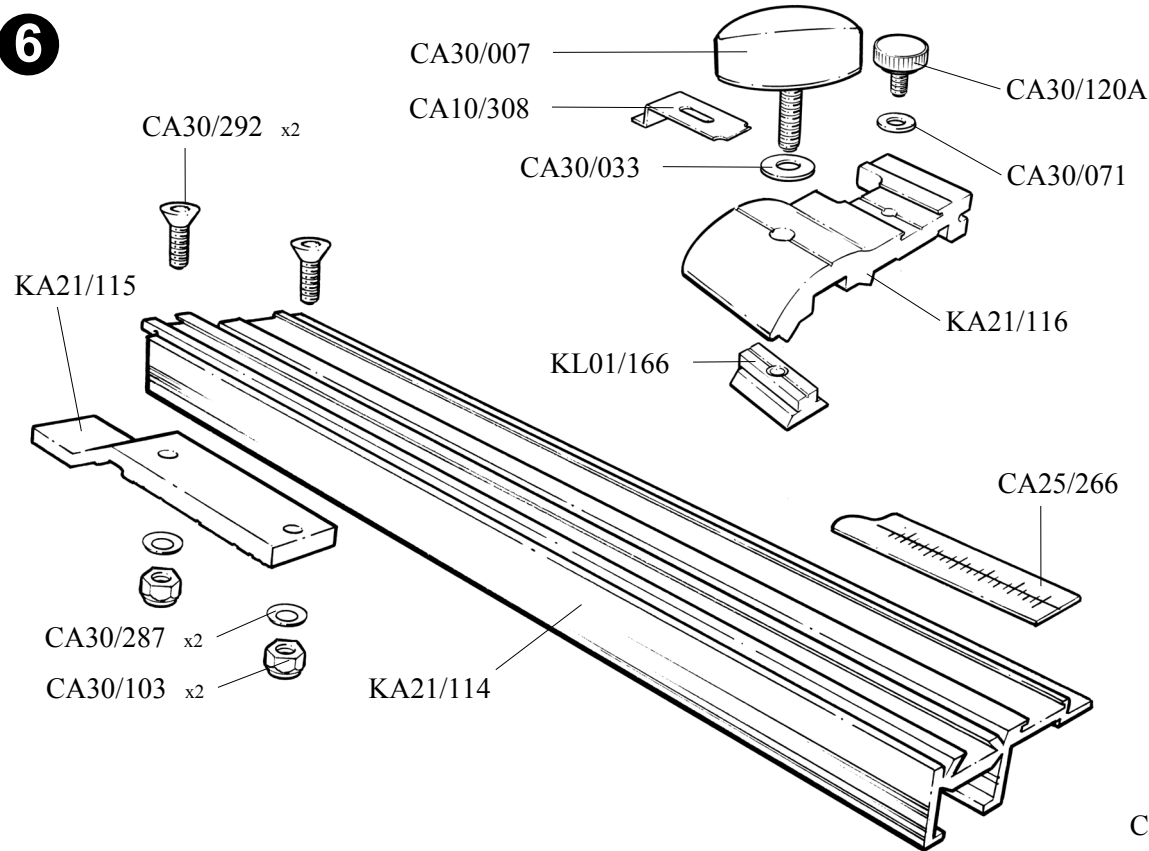
5



6 MEASURING ARM ASSEMBLY
7 VERTICAL CUTTER ASSEMBLY

ARTIST

6



7

