

Excalibur 5000

The ultimate vertical cutter for the professional picture framer

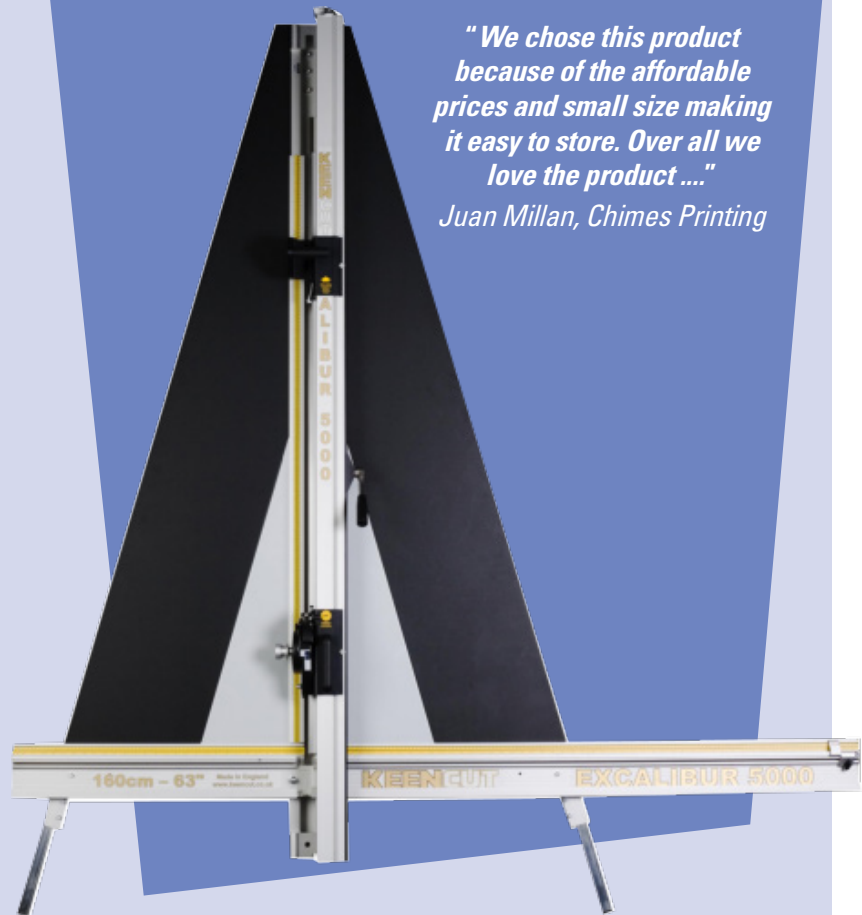
KEENCUT
THE WORLD'S FINEST CUTTING MACHINES

35 years of cutting excellence

Consistent, accurate, efficient and hard-wearing cutter for mountboard, backing board, Plexiglas and glass

- Cuts all framing sheet materials easily
- Consistent perfect cuts
- Integral interchangeable tools
- One piece squaring arm
- Balanced weight to reduce user fatigue
- No dust or debris
- Robust aluminium construction to withstand long term use
- Quick payback through reduced waste and cutting time
- Safety by design
- Space saving
- Manufactured with premium quality materials
- Guaranteed for 5 years

Available in 2 sizes 122cm and 160cm



"We chose this product because of the affordable prices and small size making it easy to store. Over all we love the product ..."

Juan Millan, Chimes Printing

Perfect for cutting ...

Mountboard

MDF

Glass

Plexiglas (cast acrylic)

Foam centred board

Will also cut ...

- PVC foam board
- Corrugated plastic / cardboard



KEENCUT

Baird Road
Willowbrook Industrial Estate
Corby, Northants, England
NN17 5ZA, United Kingdom

Tel: +44 (0)1536 263158
sales@keencut.co.uk
www.keencut.co.uk

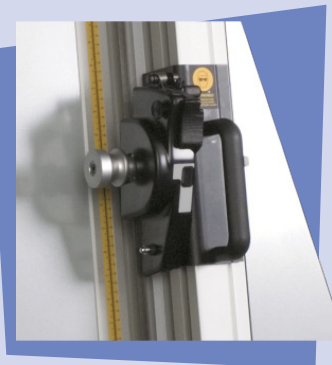
**MADE IN
BRITAIN**

www.keencut.co.uk

Integral interchangeable tools

Multi tool head

- All blades and glass cutting wheels are permanently mounted for instant use.
- Uses off the shelf blades - no costly specialist blades required.
- Unique ratchet system for incremental cutting of thicker materials.



Twin wheel cutter

- Cuts 3mm MDF in a single pass producing a clean edge.
- Noiseless, dust and debris free.
- Balance weight parks head at the top when not in use.



Cuts all materials down the same line

- No need to alter production stops for different materials.
- Simple operation.
- Reduces wastage.
- Reduces mistakes.



Consistent perfect cuts

Unique pressure sensitive clamp

- Powerful clamping holds tough materials precisely for a perfect cut.
- Touch-sensitive control clamps delicate or printed materials gently without damage.



Perfect 90° cutting

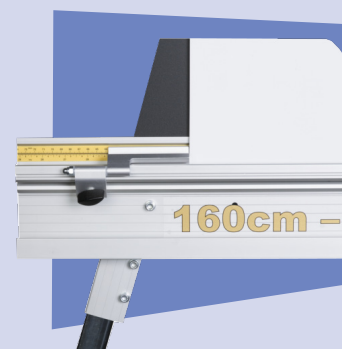
- Simple initial set up to 90° using squaring adjuster.
- Maintains permanent 90° accuracy over time.

Achieve the same cut every time

- Quick set production stops for repeated use.

Single piece squaring arm

- Robust, rigid structure for perfect alignment.
- Provides consistent accuracy.
- Reduces set up time.



OPTIONAL EXTRA

Free standing kit

Ideal for when wall space is limited or flexibility of machine placement is required. Bolts directly to the back of the machine to produce a rigid and stable free-standing unit.



DIMENSIONS

	EXC5122	EXC5160
Cut Length	122cm (48")	160cm (63")
A	208cm (82")	244cm (96")
B	213cm (84")	213cm (84")
Wall Mounted - Standard - C	30-40cm (12-16")	30-40cm (12-16")
Free Standing - Optional - C	80-90cm (32-36")	80-90cm (32-36")
Packed Weight	56kg (123lbs)	67kg (147lbs)
Packed Dimensions cm (")	226x38x30cm (89x15x12")	231x40x30cm (91x16x12")

