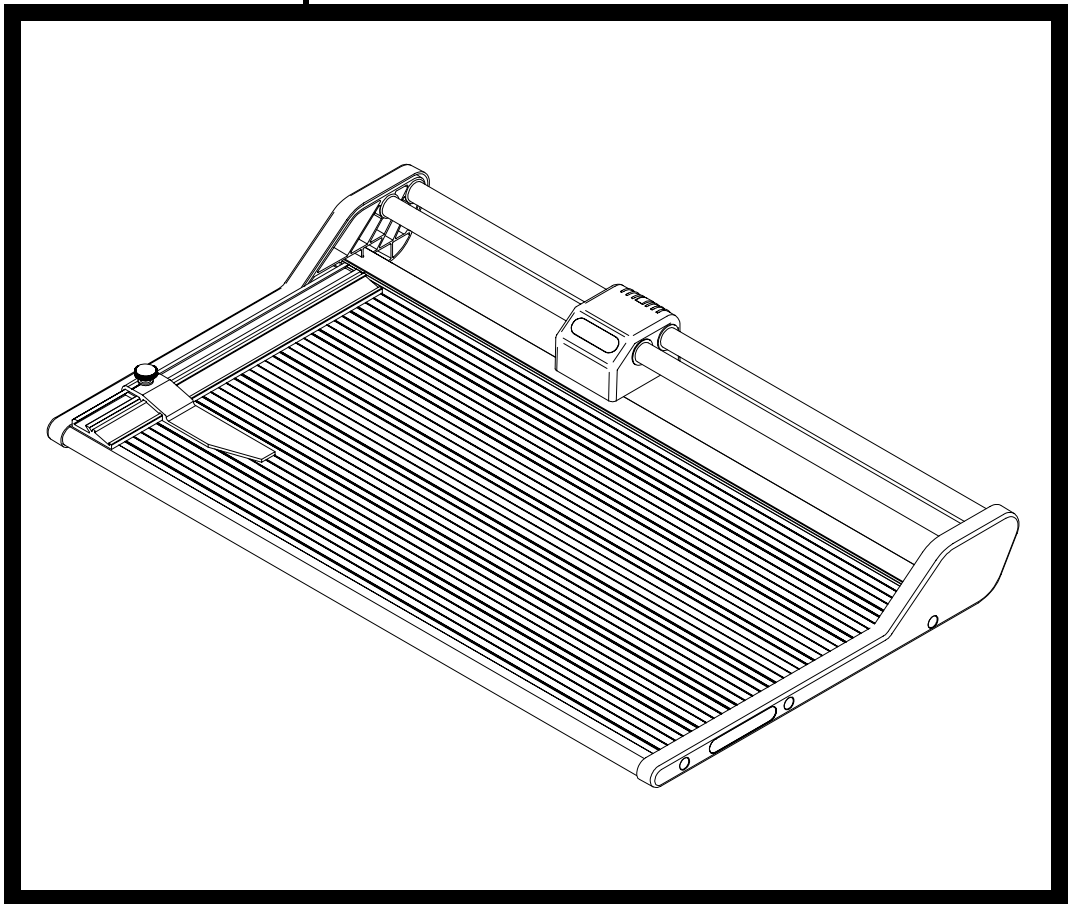


# CLASSIC ROTARY CUTTER

**KEENCUT**

GB INSTRUCTION MANUAL



**KEENCUT**

**THE WORLD'S FINEST CUTTING MACHINES**

# Classic Rotary Cutter User Instructions

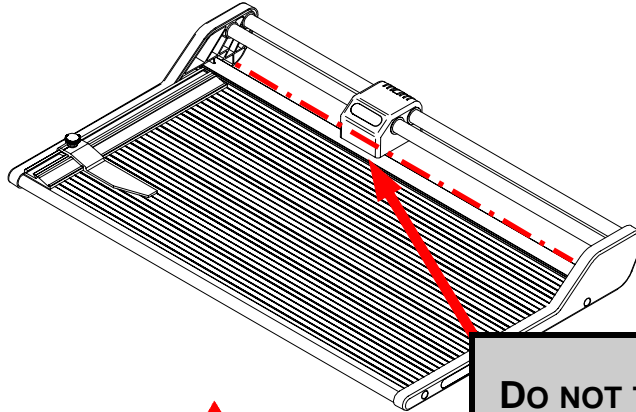
## Safety & Preparation

Thank you for choosing the Classic Rotary Cutter made by Keencut. Every effort has been made to bring you a superbly built product with the promise of many years of good service. In order to obtain maximum benefit from your machine please read these instructions carefully. For advice and assistance or replacement parts please contact your distributor or Keencut.

### SAFETY

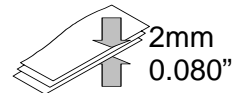
The sliding cutting head contains a very sharp circular blade and the base has a blade fixed to it for the full length of the machine.

- For safety - do not place your fingers near the circular knife or the base blade.
- For safety - do not pick up or carry the machine using the Guide Bars.
- Do not use the Cutter if there is any sign of damage, particularly to the Cutting Head.



**DO NOT TOUCH THE  
CIRCULAR KNIFE OR  
THE EXPOSED FIXED  
BLADE  
- THEY ARE SHARP.**

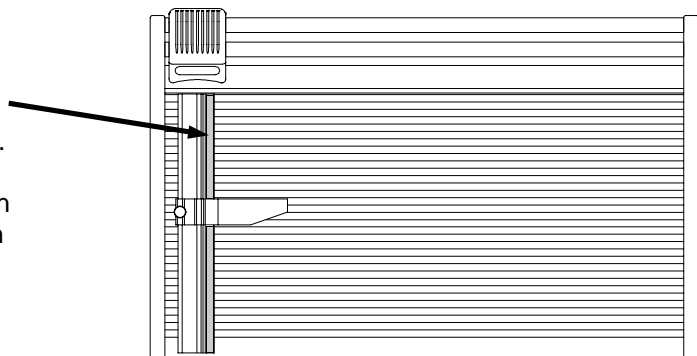
The Cutters have been designed to cut a large range of materials up to a thickness of 2mm (0.080").



### PREPARING THE CUTTER

The inch scale has been fitted to the cutter, a metric scale is included should you wish to apply it.

To fit the metric scale, make a small pencil mark on the aluminum adjacent to the 7½" mark on the inch scale. Apply the metric scale so the 19cm increment aligns with the pencil mark. The pencil mark can be removed with an eraser.



**Remove the red protective cover from the fixed blade before use.**

# Classic Rotary Cutter User Instructions

## Operation & Maintenance

### OPERATION

Park the sliding cutting head at the end of the machine opposite to the measuring scale, this will release the clear plastic clamp strip. Slide the material to be cut under the clamp strip and align it as required. Sliding the cutting head will automatically clamp the work while cutting through it.

Using your free hand to apply downward pressure on heavy board or multiple sheets which will help to prevent any movement during cutting and ensure a straight cut.

All machines have a Guide Plate under the cutting head. This is designed to prevent the guide bars bending and therefore prevent the cutting wheel riding up onto the cutting blade if the material being cut is too tough for the machine. It is normal to apply some downward pressure when cutting tough materials to stop this happening.

However the Guide Plate does mean that the machine can only cut in one direction. It can be removed on the smaller machines if only light weight material such as paper is being cut which will give the advantage of being able to cut in both directions.

### REMOVING THE GUIDE PLATE

1. Turn the cutter up side down and place some blocks under the base of the machine so the cutting head is not touching the table top.
2. Compressing the spring, slide the plastic bush (situated under the Guide Plate) away from the cutting wheel.
3. When the bush is clear of the Guide Plate pull it directly out from the cutter housing.

To replace the Guide Plate, reverse the above procedure ensuring it is positioned correctly with the plastic Guide Block

### MAINTENANCE

The Cutters are designed to be maintenance free but occasional cleaning and lubrication of the Guide Bars will ensure your cutter stays in peak operating condition:-

- Cleaning – **Warning :- Please do not use solvent cleaners or mineral oil anywhere near any plastics particularly the slide bushes in the cutting head.** Slightly dampen a cloth with water and wipe away any accumulated dirt. A little detergent may be necessary to remove stubborn greasy marks.
- Lubrication - **Warning :- Please do not use oil, it can destroy plastics,** use a silicone lubricant and lightly apply to the Guide Bars. Wipe away all wetness with a dry cloth to avoid attracting and retaining dust.

### CHANGING THE CUTTING WHEEL

1. Turn the cutter up side down with some blocks under the base of the machine so the cutting head is not touching the table top.
2. Undo the Allen headed screw holding the shaft in place nearly all the way then press on the screw to push the shaft forward, remove the screw completely.
3. Pull the shaft out of the cutting head carefully using a pair of pliers.
4. The spring, plastic bushes and the Safety Plate can now be removed with the cutting wheel assembly. **DO NOT TOUCH THE EDGES OF THE CIRCULAR KNIFE IT IS EXTREMELY SHARP.**
5. Put the new cutting wheel assembly in place and slide in the shaft part way to hold it in position. Ensure the flats on the shaft are facing in the correct direction.
6. Place the two plastic bushes either side of the spring, compress it and place them in position in the cutting head, slide the shaft all the way in ensuring it is properly located on its two flats. Replace the screw and finally the Safety Plate (as explained above)



**DO NOT TOUCH THE EDGE OF THE CIRCULAR KNIFE, IT IS EXTREMELY SHARP.**

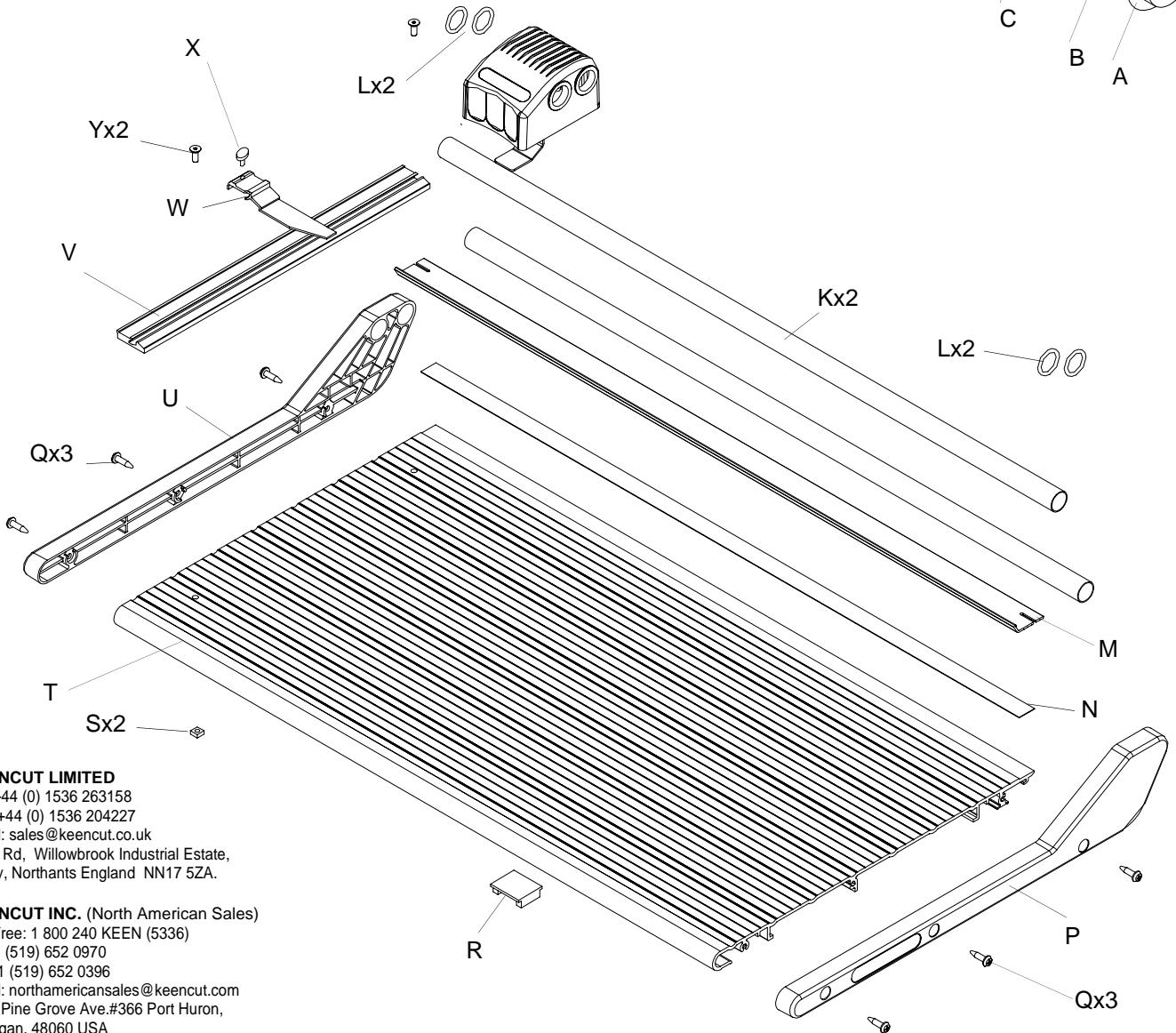
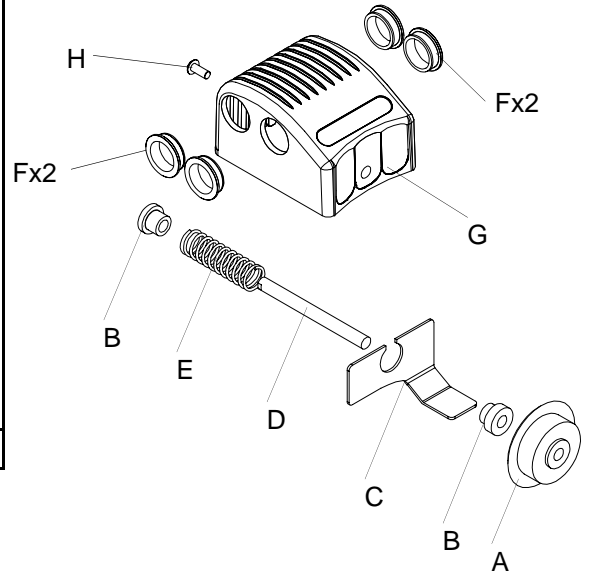


# Classic Rotary Cutter User Instructions

## Spare Parts

Key	Qty.	Code	Key	Qty.	Code
A	1	KX97/000	N	1	KC0*/101
B	2	KC01/110	P	1	KC01/105
C	1	CA10/299	Q	6	CA30/249
D	1	KC01/109	R	1	KC01/106
E	1	CA25/244	S	2	CA30/275
F	4	KC01/108	T	1	KC0*/100
G	1	KC01/107	U	1	KC01/104
H	1	CA30/162	V	1	KC01/111
K	2	KC0*/103	W	1	KC01/113
L	4	CA75/131	X	1	CA30/191
M	1	KC0*/102	Y	2	CA30/117
			Rubber Feet	Var.	CA75/122
			Scales Sticker Set	1	CA25/211

\* State size of machine when ordering parts



**KEENCUT LIMITED**  
 Tel: +44 (0) 1536 263158  
 Fax: +44 (0) 1536 204227  
 Email: sales@keencut.co.uk  
 Baird Rd, Willowbrook Industrial Estate,  
 Corby, Northants England NN17 5ZA.

**KEENCUT INC. (North American Sales)**  
 Toll Free: 1 800 240 KEEN (5336)  
 Tel: 1 (519) 652 0970  
 Fax: 1 (519) 652 0396  
 Email: northamericansales@keencut.com  
 3560 Pine Grove Ave.#366 Port Huron,  
 Michigan, 48060 USA